

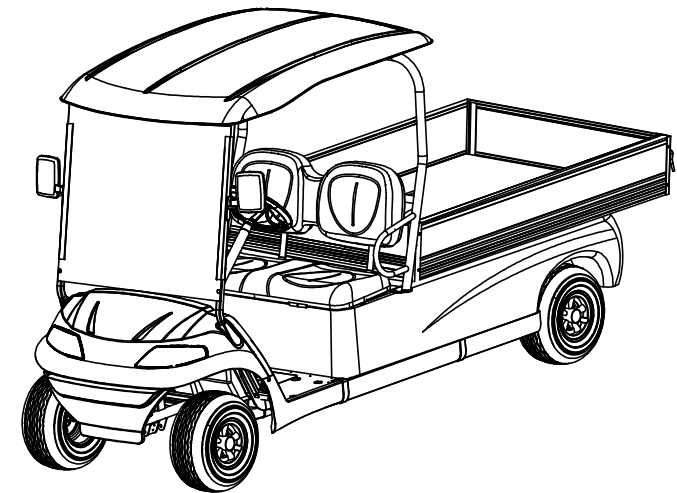
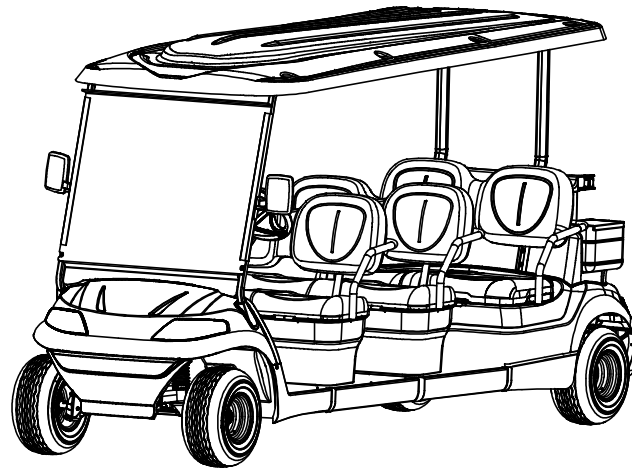
# LVTONG<sup>®</sup>



Guangdong Lvtong New Energy Electric Vehicle Technology Co., Ltd

## A627

A627 Series Accessories Catalogue



**Postadress:**

TRÄDGÅRDSTEKNIK AB  
Helsingborgsvägen 578, Varalöv  
262 96 ÄNGELHOLM

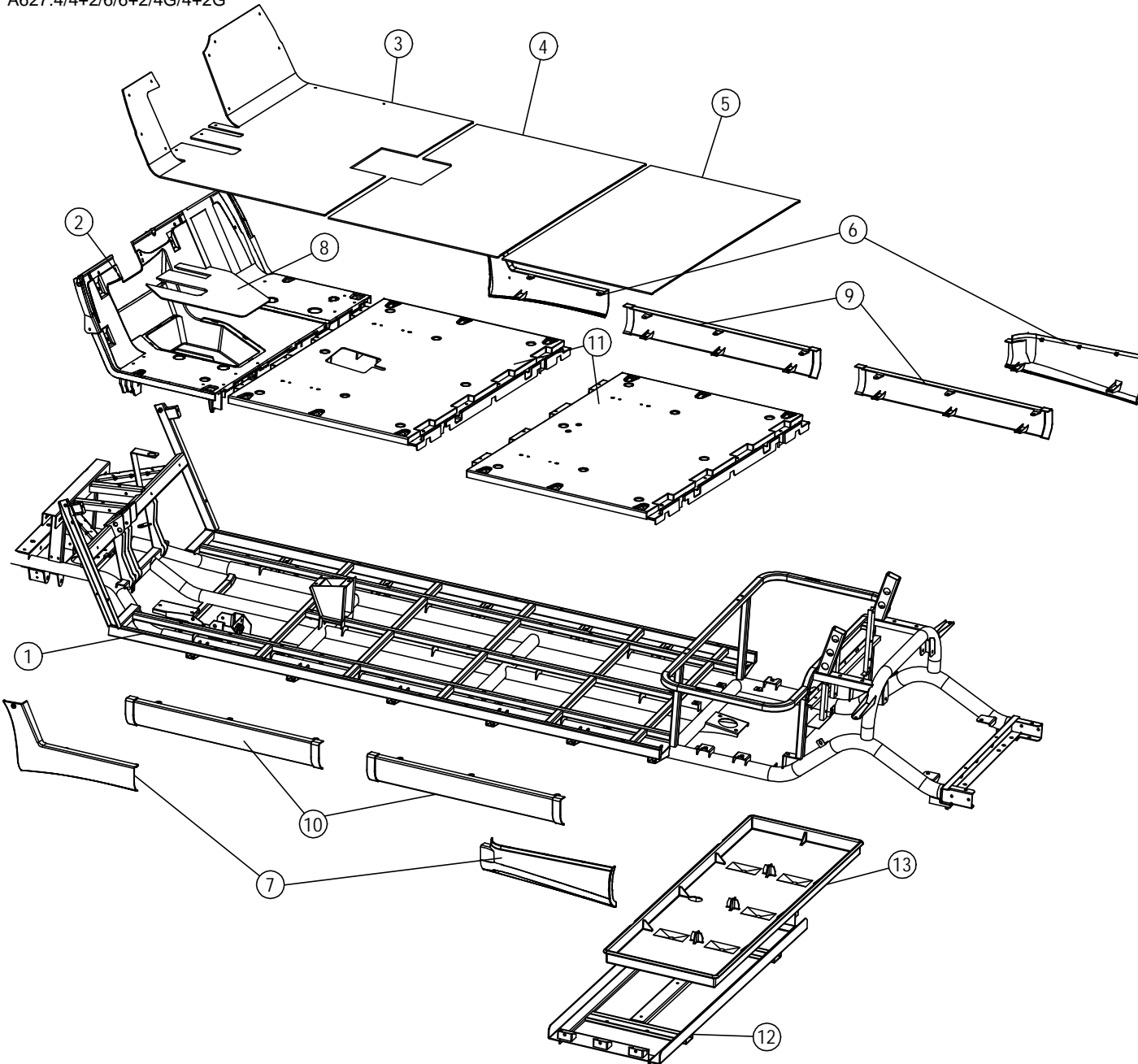
Telefon : 0431-222 90  
Bg.nr : 5743-7980  
Org.nr : 556409-6120

**URL:**

[www.tradgardsteknik.se](http://www.tradgardsteknik.se)  
E-postadress:  
[info@tradgardsteknik.se](mailto:info@tradgardsteknik.se)



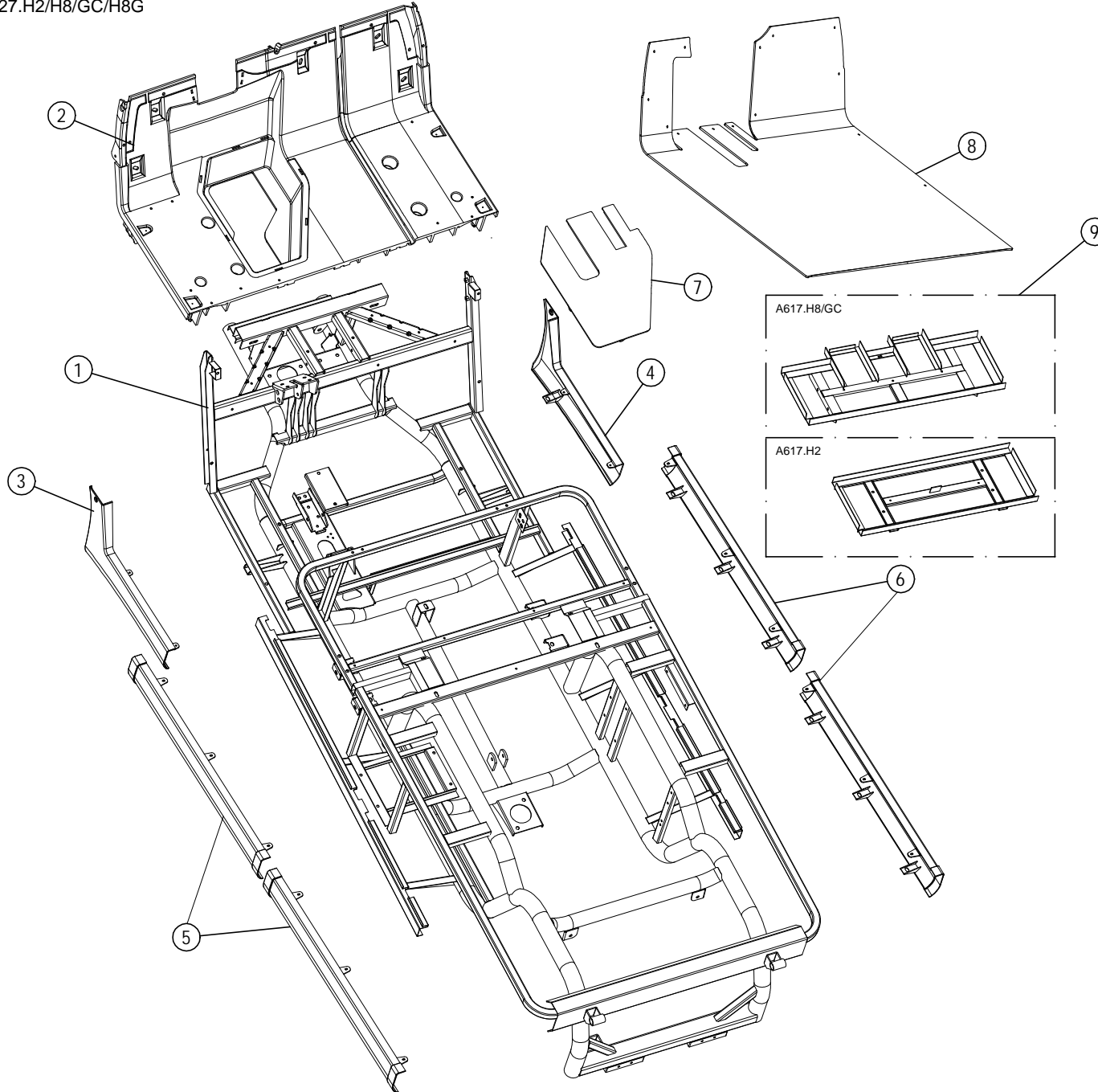
A627.4/4+2/6/6+2/4G/4+2G



Chassis frame(2)

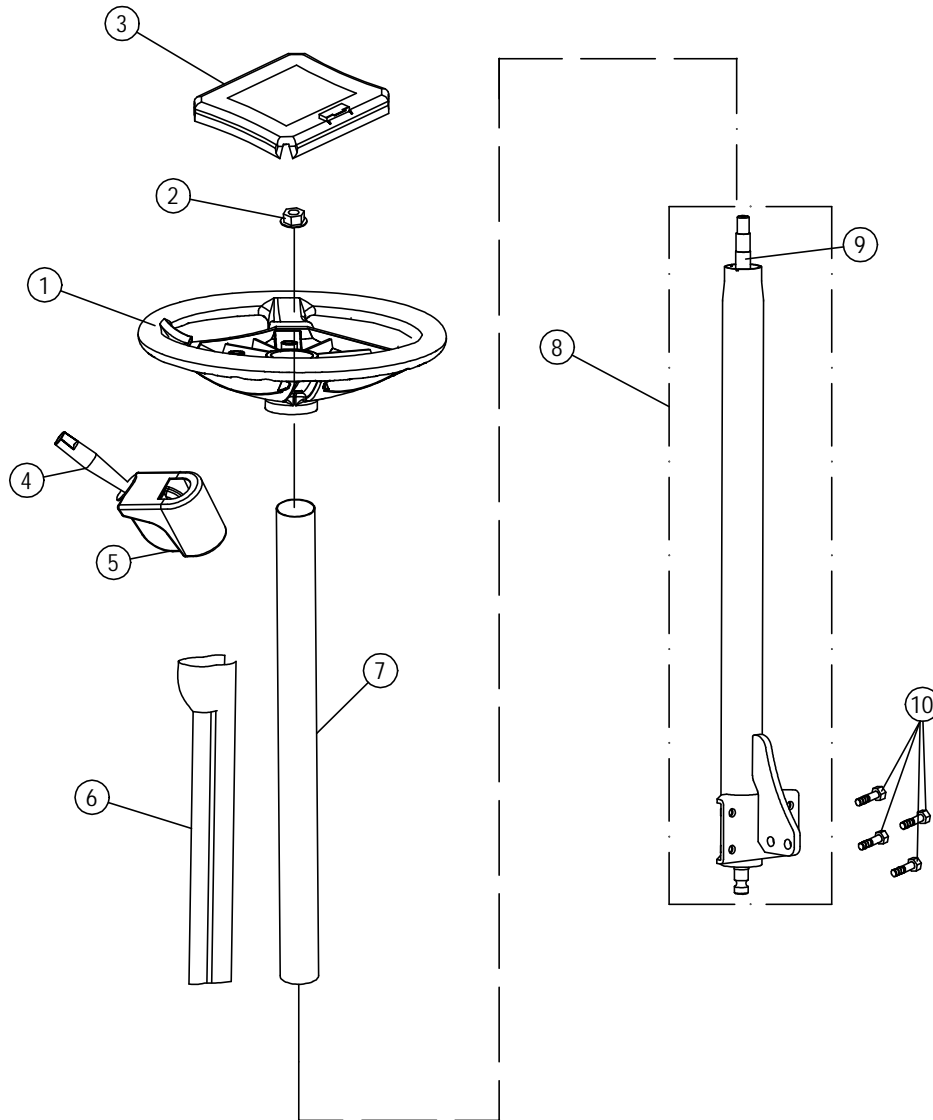
NO:	Code	Name	QTY	Remark
1	2.01.007.800040	A627.4-B A627.4 chassis frame-B	1	
	2.01.004.020073	A627.4 A627.4 four disc brake chassis	1	
	2.01.004.210015	A627.4G-B A627.4G chassis frame-B	1	
	2.01.004.210029	A627.6 A627.6 chassis frame	1	
	2.01.004.020074	A627.6 A627.6 four disc brake chassis	1	
2	3.02.011.300096	A627.4 A627 front baseplate	1	
3	2.02.007.010036	A627.4 A627.4 front floor plate	1	
4	2.02.007.010026	A627.6 A627.6 middle floor plate	1	6/6+2
5	2.02.007.010037	A627.4 A627.4 rear floor plate	1	
6	3.02.011.300070	A627 -B A627 side sill-R	1	
7	3.02.011.300069	A627 -B A627 side sill-L	1	
8	2.01.004.020016	A627.4 A627 cover plate	1	
9	3.02.011.300085	A627 A627 middle Side Sill-R	1	A627.4/4+2 A627.4G/4+2G
			2	A627.6/6+2
10	3.02.011.300084	A627 A627 middle Side Sill-L	1	A627.4/4+2 A627.4G/4+2G
			2	A627.6/6+2
11	3.02.011.300086	A627 A627 middle baseplate	1	A627.4/4+2 A627.4G/4+2G
			2	A627.6/6+2
12	2.01.007.800125	A627.4 A627.4 battery holder	1	A627.4/4+2 A627.6/6+2
	2.01.007.800141	A627.4G A627.4G battery holder	1	A627.4G/4+2G
13	3.02.012.000048	A627.4 A627.4 battery box	1	

A627.H2/H8/GC/H8G



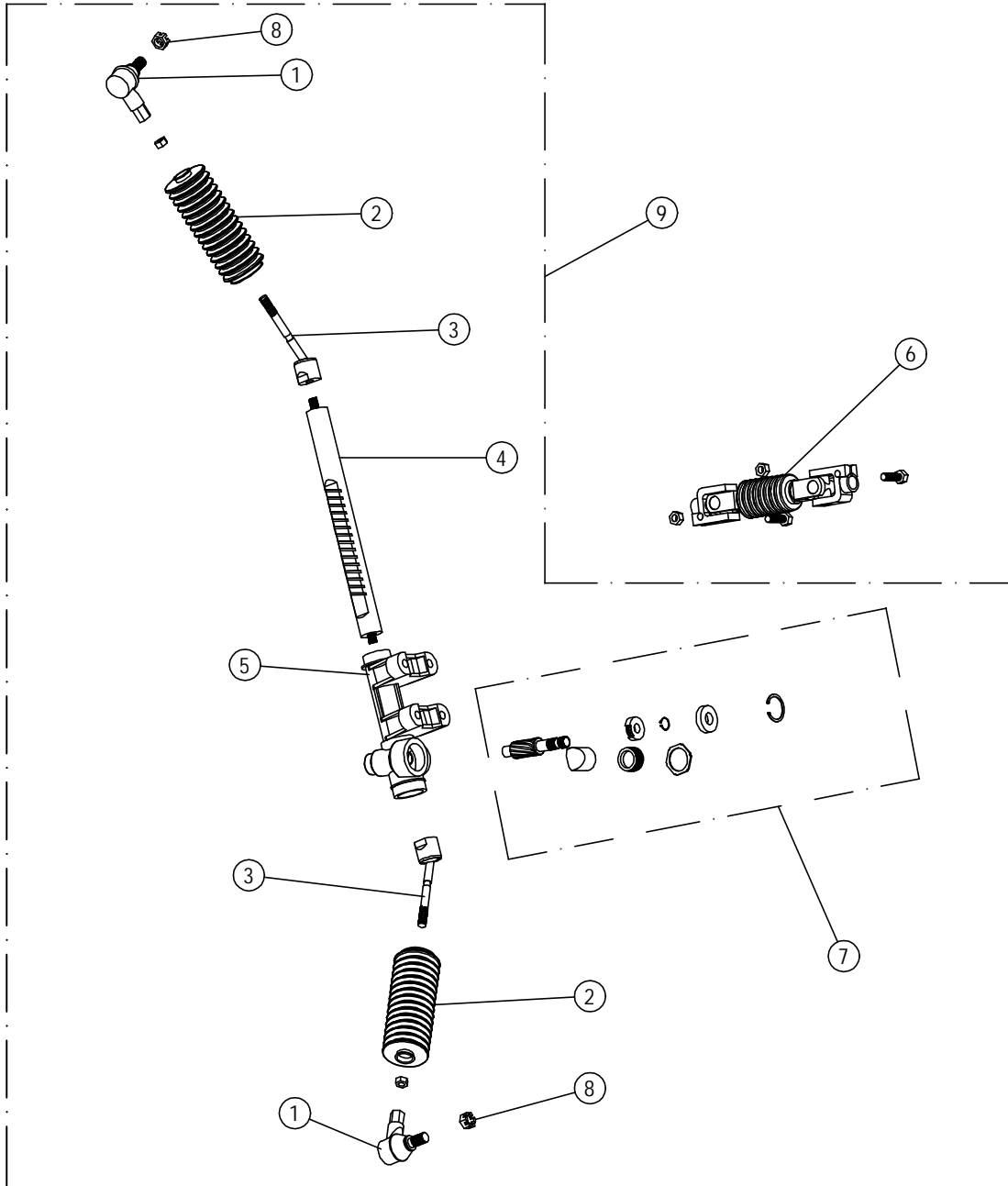
Chassis frame(3)

NO:	Code	Name	QTY	Remark
1	2.01.007.800093	A627.H2 A627.H2 chassis frame	1	A627.H2
	2.01.007.800067	A627.H8 A627.H8 chassis frame	1	A627.H8/GC
	2.01.004.020083	A627.H8 A627.H8 four disc brake chassis	1	A627.H8
	2.01.007.800143	A627.H8G-B A627.H8G chassis frame	1	A627.H8G
2	3.02.011.300096	A627.4 A627 front baseplate	1	
3	3.02.011.300069	A627-B A627 side sill-L	1	
4	3.02.011.300070	A627-B A627 side sill-R	1	
5	3.02.011.300084	A627 A627 middle Side Sill-L	1	A627.H2
			2	A627.H8/GC
6	3.02.011.300085	A627 A627 middle Side Sill-R	1	A627.H2
			2	A627.H8/GC A627.H8G
7	2.01.004.020016	A627.4 A627 cover plate	1	
8	2.02.007.010052	A627-H A627.H floor plate	1	
9	2.01.007.800114	A627.6 A627.6 battery holder	1	A627.H2
	2.01.007.800150	A627.H8 A627.H8 battery holder	1	A627.H8/GC A627.H8G



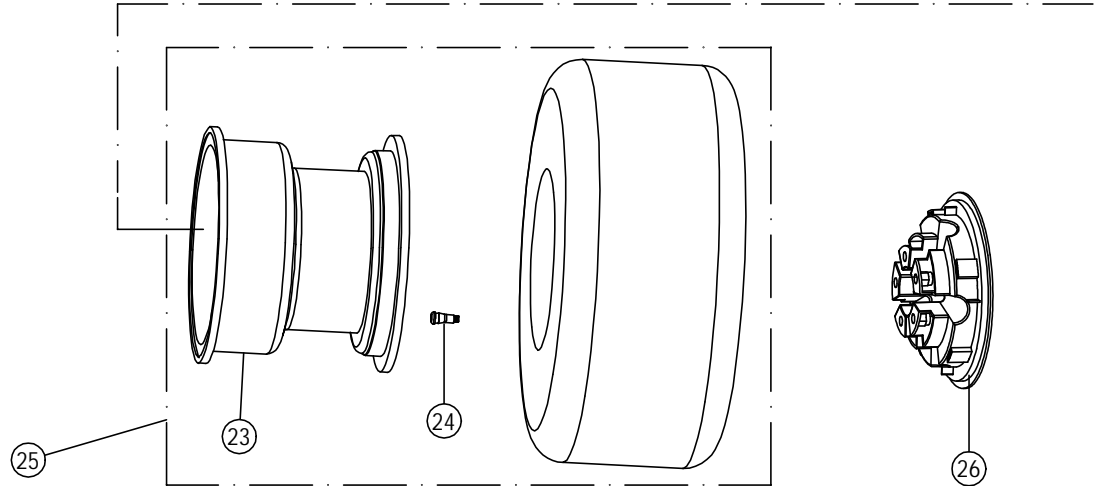
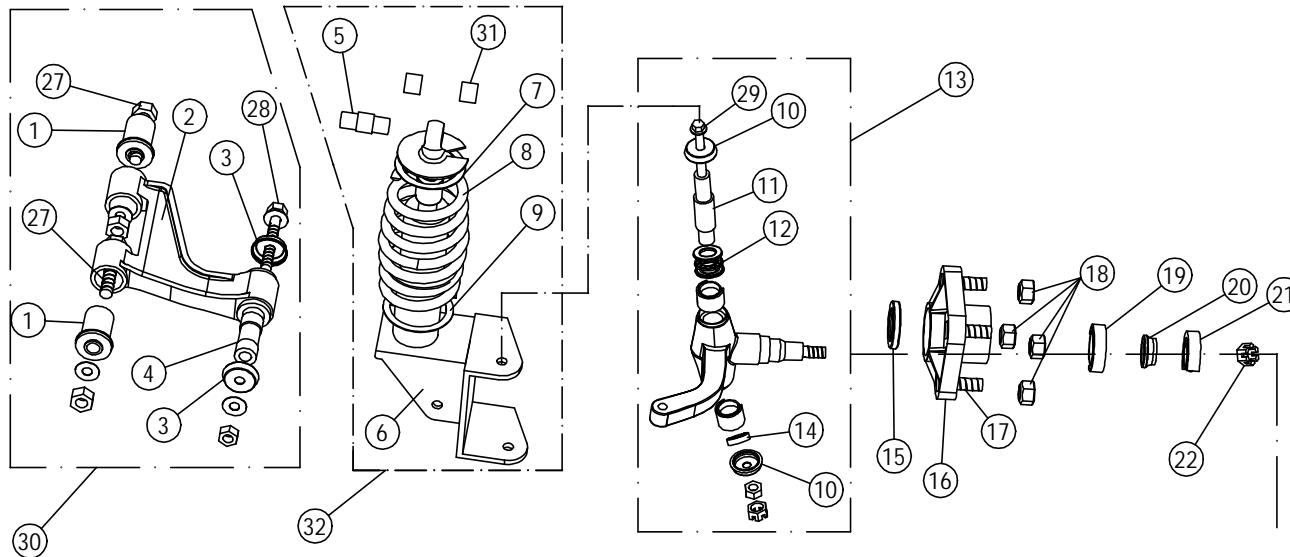
### Steering system(1)

NO:	Code	Name	QTY	Remark
1	3.01.004.070001	Steering wheel	1	
2	3.01.003.100017	Nut	1	M14
3	3.02.014.000038	Card Holder	1	
4	3.03.011.000025	Single arm combination switch	1	
5	3.03.011.000027	Single arm combination switch holder	1	
6	3.02.011.300051	A627 A627 Steering switch wire cover	1	450mm
7	3.02.014.000275	A627.4 A627.4 Column cover	1	A627.2/2+2/H8/H2/GC A627.2G/2+2G/H8G
	2.01.001.010369	A627.4 A627.4 Column cover	1	A627.4/4+2/6/6+2 A627.4G/4+2G
8	3.01.004.070118	A627-B A627 Steering column-B	1	A627.2/2+2/H8/H2/GC A627.2G/2+2G/H8G
	3.01.004.070119	A627.4-B A627.4 Steering column-B	1	A627.4/4+2/6/6+2 A627.4G/4+2G
9	3.01.004.070018	Rod steering	1	A627.2/2+2
10	3.01.003.060006	Screw	4	8*20



### Steering system(2)

NO:	Code	Name	QTY	Remark	
1	3.01.004.070011	Ball joint	2		
	3.01.004.070187	A Ball joint	2		
	3.01.004.070128	S14 Ball joint	2	220	
	3.01.004.070150	A627 Ball joint	2		
2	3.02.014.000032	Dust proof rubber boot	2		
3	3.01.004.070136	A627 Inner ball joint	2		
	3.01.004.070186	A Inner ball joint	2		
	3.01.004.070185	A627 Inner ball joint	2	220	
	3.02.004.070137	A627.2G Inner ball joint	2		
4	3.01.004.070183	A627 Steering gear rack	1		
	3.01.004.070184	A Steering gear rack	1		
5	3.01.004.070013	Steering box housing	1		
6	3.01.004.900041	A627 Universal joint	1		
7	3.01.004.070012	Pinion assy	1		
8	3.01.003.100040	Nut	2	M12	
	3.01.004.070072	A Steering	(136)	1	
	3.01.004.070090	A Steering	(136mm.)	1	
	3.01.004.070096	A627 Steering for A627 with lift kits		1	220
	3.01.004.070125	A627-B Steering		1	

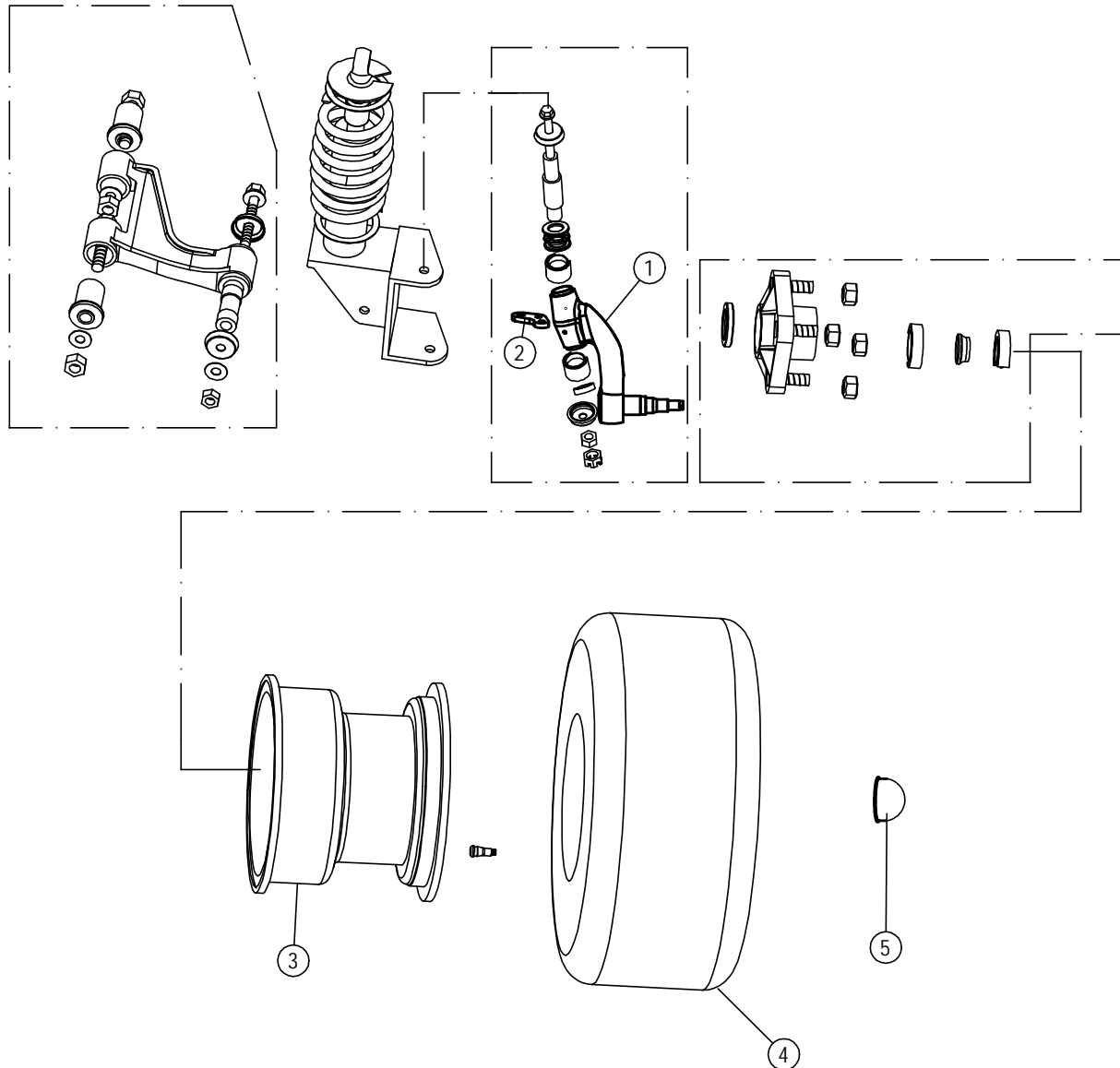


### Front suspension(1)

NO:	Code	Name	QTY	Remark
1	3.01.004.070021	Bush	4	two for each side
2	3.01.005.010008	Arm	2	one for each side
3	3.01.004.070024	Arm seal	4	two for each side
4	3.01.004.070023	Arm shaft	2	one for each side
5	3.01.004.080004	Front shock absorbor up bush	2	one for each side
6	3.01.004.080002	Front shock absorbor/L	1	
	3.01.004.080001	Front shock absorbor/R	1	
7	3.02.014.000081	Front shock absorbor up rubber	2	one for each side
8	3.01.004.080013	A2 A2 front spring	2	A627.2/2+2
	3.01.004.080015	A4 A4 front spring	2	A627.4/4+2
	3.01.004.080017	A8 A8 front spring	2	A627.2G/2+2G
	3.01.004.080019	A11 A11 front spring	2	A627.6/6+2/4G 4+2GH2/H8/GC
9	3.02.014.000082	Front shock absorbor down rubber	2	one for each side
10	3.02.014.000110	Knuckle shaft seal/big	4	two for each side
11	3.01.004.070022	Main washer	2	one for each side
12	3.01.004.900019	Bearing 51103	2	one for each side
13	3.01.005.010006	Knuckle assy/L	1	
	3.01.005.010007	Knuckle assy/R	1	
14	3.01.004.090013	Bearing MK120/20	2	one for each side
15	3.01.004.090005	Bearing base seal	2	one for each side
16	3.01.005.010009	Bearing base	2	one for each side
17	3.01.003.070006	C wheel screw	8	four for each side
18	3.01.003.100045	C wheel nut	8	four for each side
19	3.01.004.090001	Bearing 6005	2	one for each side
20	3.01.004.090004	bearing cover	2	one for each side
21	3.01.004.090002	Bearing 6204	2	one for each side
22	3.01.003.070010	S14 knuckle nut	2	one for each side
23	3.01.004.020002	Wheel rim/white	2	one for each side
24	3.02.001.000021	Valve	2	one for each side
25	3.02.001.000030	8 8 inch wheel assembly	2	A627.2/2+2/4
	3.02.001.000002	6P 6P carliste wheel	2	A627.4+2/6/6+2 A627.H2/H8/GC
26	3.02.001.000054	A627 A627 wheel cover	2	one for each side
27	3.01.003.060037	Screw	4	two for each side
28	3.01.003.060039	Screw	2	one for each side

32	2.03.001.000017	A8 front shock absorber assy/L	1	A627.2G/2+2G	32	2.03.001.000004	A2 front shock absorber assy/L	1	A627.2/2+2
	2.03.001.000018	A8 front shock absorber assy/R	1	A627.2G/2+2G		2.03.001.000005	A2 front shock absorber assy/R	1	A627.2/2+2
	2.03.001.000020	A11 front shock absorber assy/L	1	A627.6/6+2/4G 4+2GH2/H8/GC		2.03.001.000014	A4 front shock absorber assy/L	1	A627.4/4+2
	2.03.001.000021	A11 front shock absorber assy/R	1	A627.6/6+2/4G 4+2GH2/H8/GC		2.03.001.000015	A4 front shock absorber assy/R	1	A627.4/4+2
29	3.01.003.060043	Screw	2	one for each side					
30	2.03.001.000006	A arm assy	2	one for each side					
31	3.02.014.000012	Limiting rubber sleeve	4	two for each side					

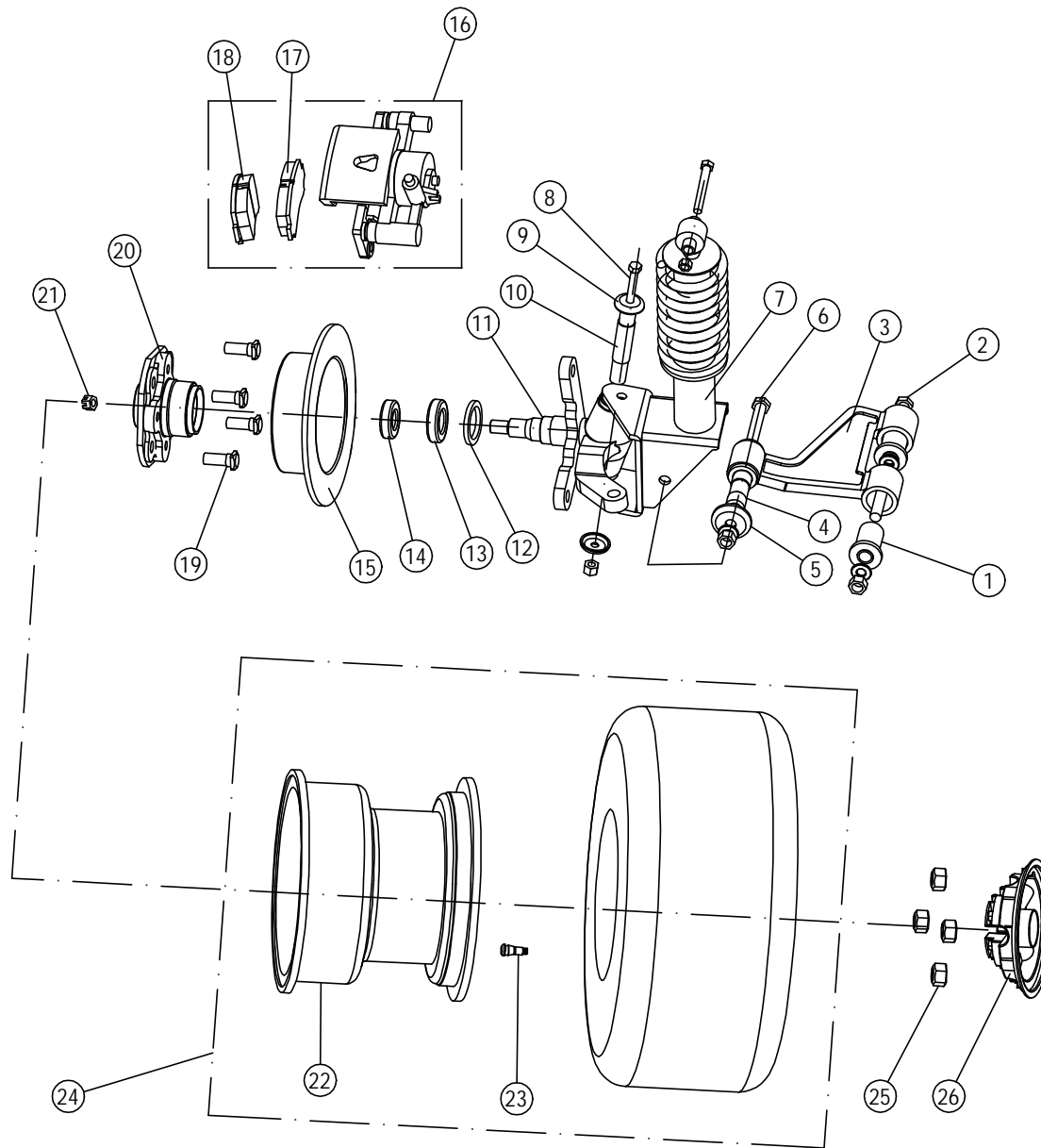
220



Front suspension(2)

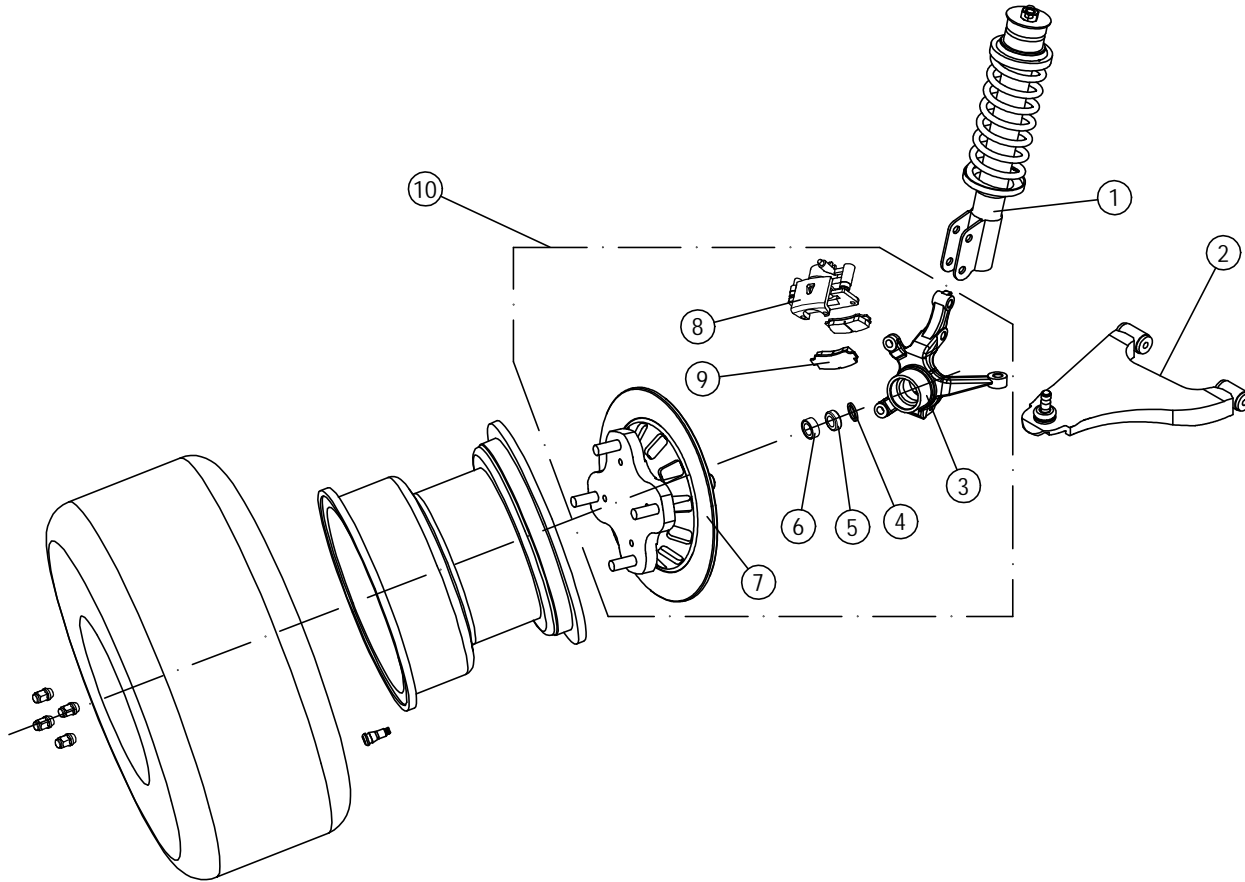
NO:	Code	Name	QTY	Remark
1	3.01.004.070082	Lifted knuckle/L	1	
	3.01.004.070083	Lifted knuckle/R	1	
2	3.01.006.020039	A627 with lift kits knuckle lock plate/L	1	
	3.01.006.020040	A627 with lift kits knuckle lock plate/R	1	
3	3.01.004.020011	Aluminum rim LD-A0721270	2	one for each side
4	3.02.001.900010	Tyre	2	one for each side
5	3.02.010.000016	Wheel cover	2	one for each side





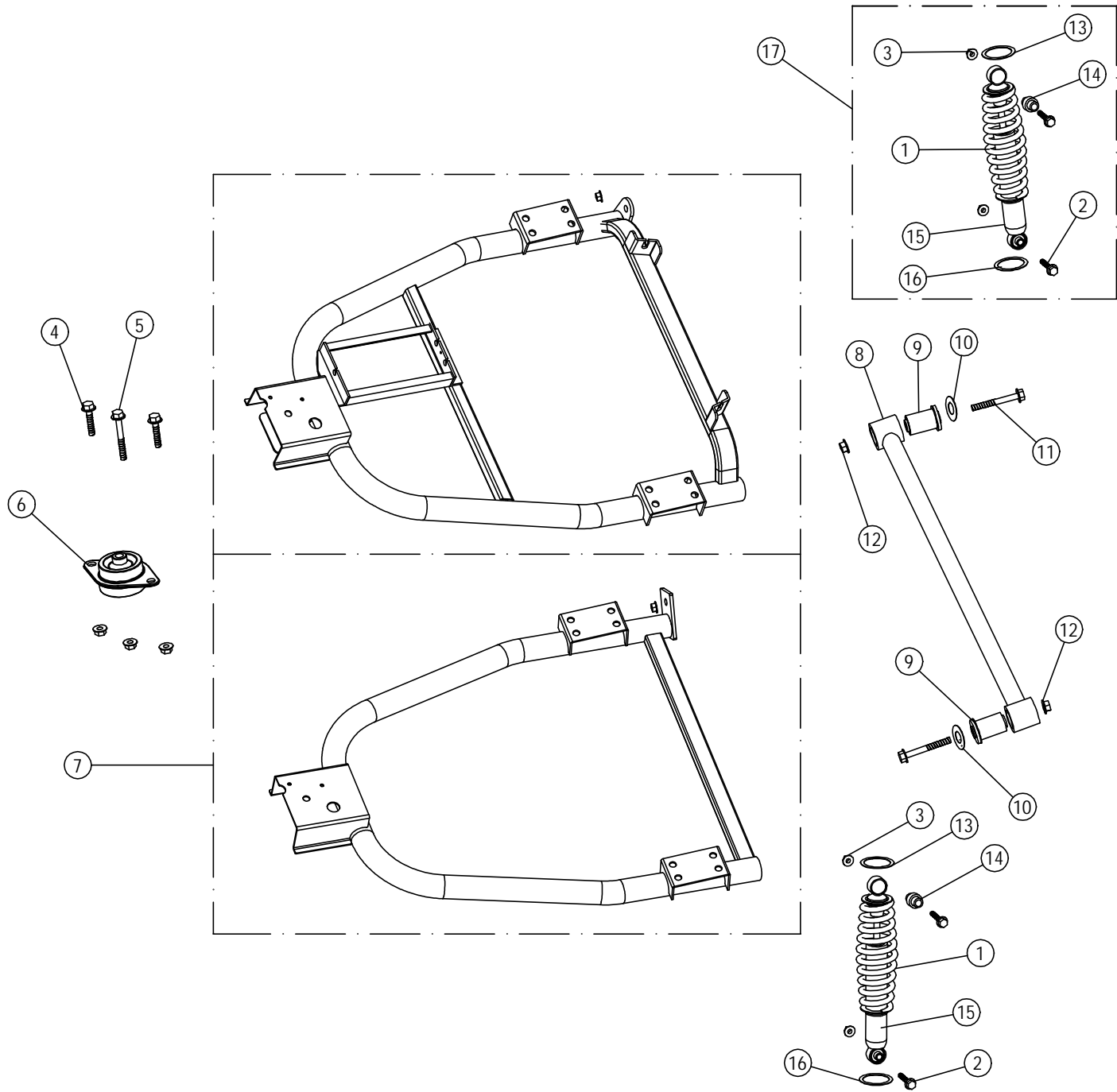
### Front suspension(3)

NO:	Code	Name	QTY	Remark
1	3.01.004.070021	Bush	4	two for each side
2	3.01.006.020045	GM12-70 Screw	4	two for each side
3	3.01.005.010008	Arm	2	one for each side
4	3.01.004.070023	Arm shaft	2	one for each side
5	3.01.004.070024	Arm seal	4	two for each side
6	3.01.006.020044	GM12-85 Screw	1	
7	3.01.004.070189	A2 A2 front shock absorber assy/L	1	A627.2/2+2
	3.01.004.070190	A2 A2 front shock absorber assy/R	1	A627.2/2+2
	3.01.004.070191	A4 A4 front shock absorber assy/L	1	A627.4/4+2
	3.01.004.070192	A4 A4 front shock absorber assy/R	1	A627.4/4+2
	3.01.004.070193	A8 A8 front shock absorber assy/L	1	A627.6/6+2 H2/H8/GC
	3.01.004.070194	A8 A8 front shock absorber assy/R	1	A627.6/6+2 H2/H8/GC
8	3.01.006.020046	GM10*140 Screw	2	one for each side
9	3.02.014.000110	Knuckle shaft seal/big	4	two for each side
10	3.01.004.070022	Main washer	2	one for each side
11	3.01.005.010004	Disc brake knuckle/L	1	
	3.01.005.010005	Disc brake knuckle/R	1	
12	3.01.004.090005	Bearing base seal	1	
13	3.01.004.090015	Tapered roller bearing 32005	2	one for each side
14	3.01.004.090006	Tapered roller bearing 30204	2	one for each side
15	3.01.005.010016	S4PA S4PA brake disc	2	one for each side
16	3.01.006.200092	Front brake cylinder/L	1	
	3.01.006.200091	Front brake cylinder/R	1	
17	3.01.004.900087	brake pad	2	one for each side
18	3.01.004.900088	brake pad	2	one for each side
19	3.01.003.070006	C wheel screw	8	four for each side
20	3.01.005.010028	Disc brake bearing base	2	one for each side
21	3.01.003.070010	S14 Valve	2	one for each side
22	3.01.004.020001	Wheel rim	2	one for each side
23	3.02.001.000021	Valve	2	one for each side
24	3.02.001.000005	Disc brake wheel	2	one for each side
25	3.01.003.100038	C wheel nut	8	four for each side
26	3.02.001.000045	10 inch wheel cover	2	one for each side



Front suspension(4)

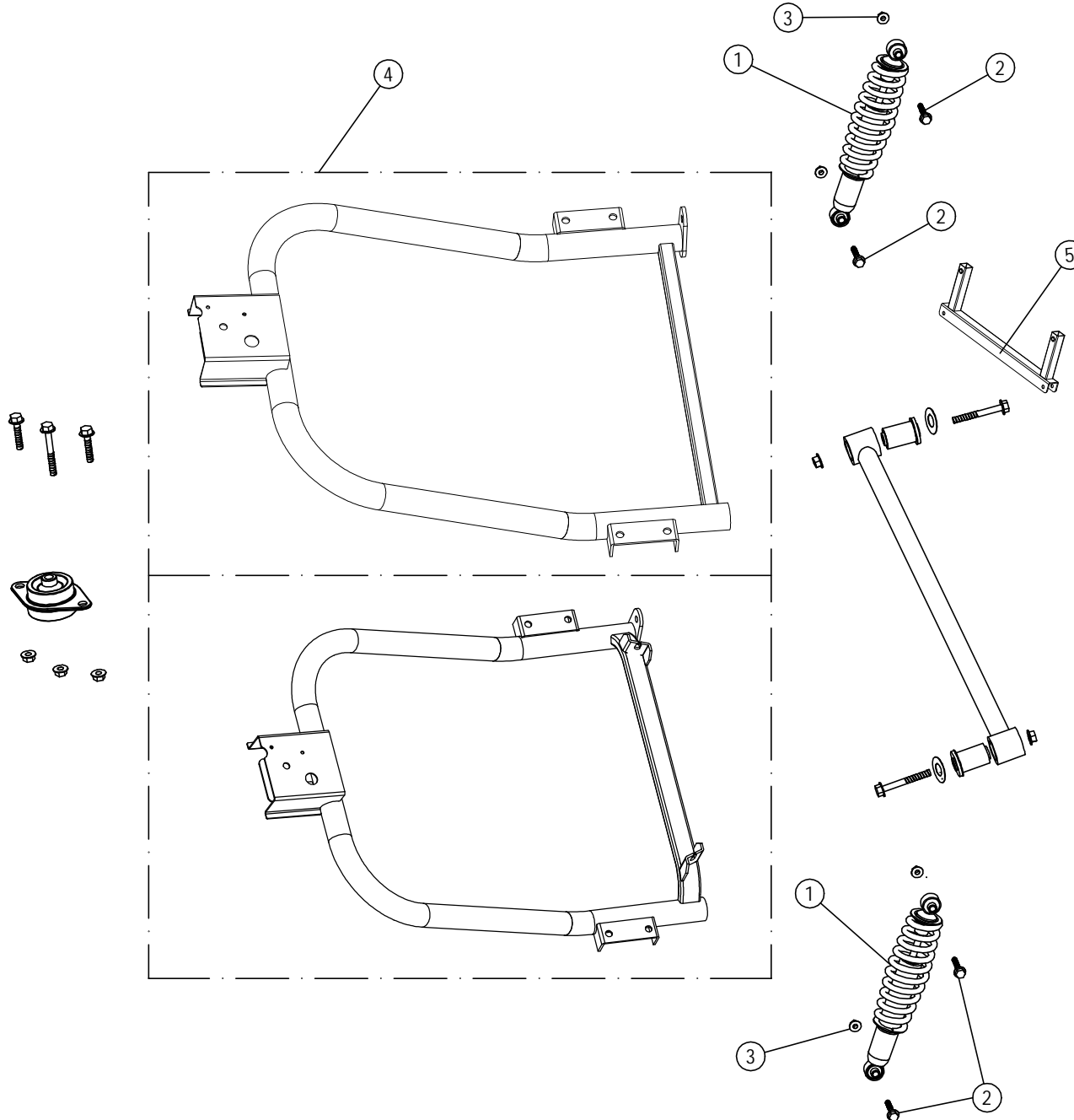
NO:	Code	Name	QTY	Remark
1	3.01.004.070142	A627.4G Front shock absorber ass L	1	
	3.01.004.070141	A627.4G Front shock absorber ass R	1	
2	3.01.004.070073	PD Lower control arm/L	1	
	3.01.004.070074	PD Lower control arm/R	1	
3	3.01.004.070055	Knuckle/L	1	
	3.01.004.070054	S2.DB Knuckle/R	1	
4	3.01.004.090008	Bearing base seal	2	one for each side
5	3.01.004.090007	Bearing 30205	2	one for each side
6	3.01.004.090006	Bearing 30204	2	one for each side
7	3.01.006.200081	Front brake disc	2	one for each side
8	3.01.006.200082	Front brake callipers/L	1	
	3.01.006.200083	Front brake callipers/R	1	
9	3.01.004.050022	Front brake shoe	4	two for each side
10	3.01.005.010012	A627 Knuckle assy for lifted cart/L	1	
	3.01.005.010013	A627 Knuckle assy for lifted cart/R	1	



Rear suspension system(1)

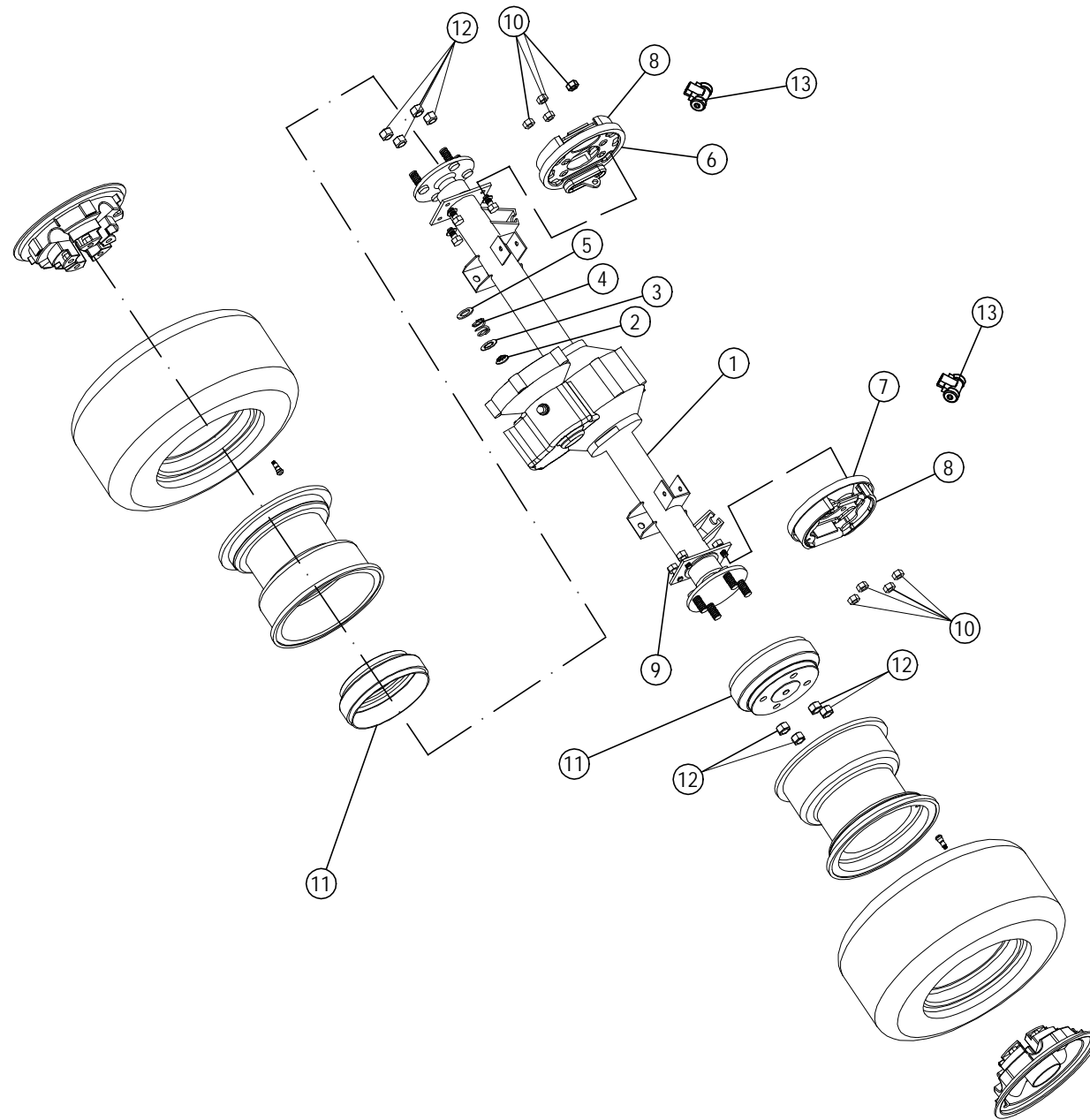
NO:	Code	Name	QTY	Remark
1	3.01.004.080012	A2 rear spring	2	A627.2
	3.01.004.080014	A4 rear spring	2	A627.2+2/4
	3.01.004.080016	A8 rear spring	2	A627.4+2
	3.01.004.080018	A11 rear spring	2	A627.6/6+2/H2 A627.H8/GC
2	3.01.003.060060	Screw	4	M10*50
3	3.01.003.100015	Nut	4	M10
4	3.01.003.060007	Screw	2	10*1.25*20
5	3.01.003.060038	Screw	1	12*1.25*80
6	3.02.014.000069	Shock absorber rubber	1	
7	2.01.004.210011	A627 transaxle bend pipe	1	
	2.01.004.210067	A627 disc brake transaxle bend pipe	1	
	2.01.004.210032	A627 transaxle bend pipe	1	
8	2.01.004.210012	A627 rear balancing pole	1	
9	3.01.004.070021	Suspension bush	2	Ø13*50mm
10	3.01.003.080036	Gasket	2	3.0*12*40
11	3.01.003.060037	Screw	2	12*70
12	3.01.003.100016	Nut	2	M12
13	3.02.014.000053	Rear shock absorber up rubber rim	2	44mm 55mm
14	3.01.004.080007	Rear shock absorber bush	2	
15	3.01.004.080005	Rear shock absorber	2	
16	3.02.014.000054	Rear shock absorber low rubber rim	2	44mm 55mm
17	2.03.001.000009	A2 rear shock absorber assembly	2	A627.2
	2.03.001.000016	A4 rear shock absorber assembly	2	A627.2+2/4
	2.03.001.000019	A8 rear shock absorber assembly	2	A627.4+2
	2.03.001.000022	A11 rear shock absorber assembly	2	A627.6/6+2/H2 A627.H8/GC

Rear suspension system(2)



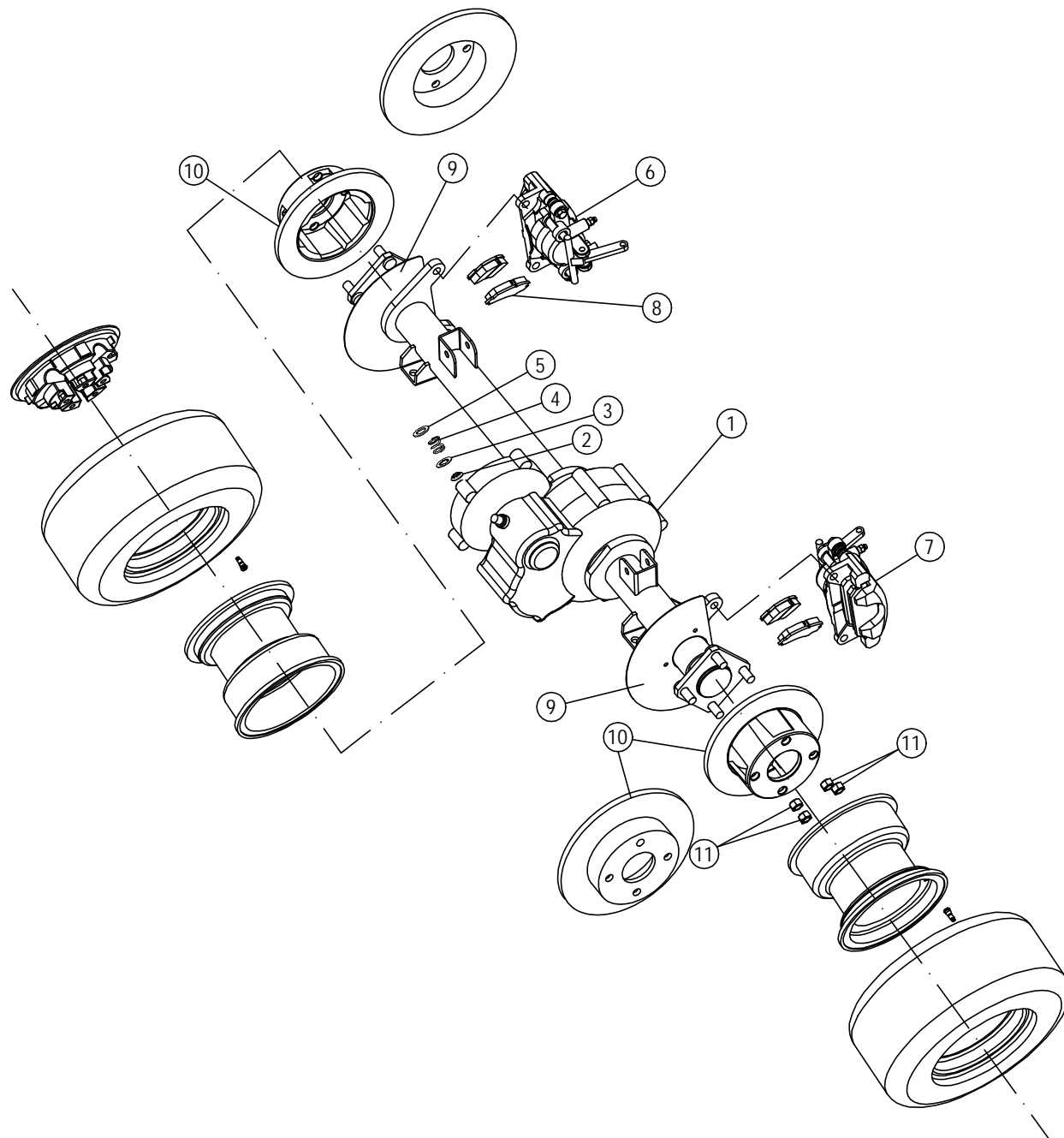
NO:	Code	Name	QTY	Remark
1	2.03.001.000022	A11 rear shock absorb assy	2	A627.2G/2+2G A627.4G/4+2G
	3.01.004.070140	Rear shock absorber	2	A627.H8G
	3.01.004.070120	A627.2G Rear shock absorber	2	A627.2G/2+2G
	3.01.004.070140	A627.4G Rear shock absorber	2	A627.4G/4+2G
2	3.01.003.060060	Screw	4	M10*50 220
	3.01.003.060066	Screw	4	M14*50
3	3.01.003.100015	Nut	4	M10 220
	3.01.003.100015	Nut	4	M14
4	2.01.007.800047	Transaxle bend pipe assy	1	A627.2G/2+2G A627.4G/4+2G/H8G
	2.01.004.210042	A627 Transaxle bend pipe assy-B	1	A627.2G/2+2G A627.4G/4+2G
	2.01.004.010088	Transaxle bend pipe assy	1	220
5	2.01.007.800048	A627.2G Rear shock absorb lifted stay	1	A627.2G/2+2G A627.4G/4+2G





### Transaxle system (1)

NO:	Code	Name	QTY	Remark
1	3.01.004.010065	A627 transaxle-A	1	12.31:1
	3.01.004.010109	A627 transaxle-D	1	16:1
	3.01.004.010108	A transaxle(front disc brake and rear drum brake)	1	12.31:1
2	3.02.014.000094	Input axle seal	1	
3	2.01.001.010258	Input axle gear gasket	1	
4	3.01.006.000115	Input axle spring	1	
5	2.01.001.010259	Input axle round gasket	1	
6	3.01.004.050002	Brake/L	1	
	3.01.004.050004	Handbrake/L	1	
7	3.01.004.050001	Brake/R	1	
	3.01.004.050003	Handbrake/R	1	
8	3.01.004.050049	E brake shoe	4	
	3.01.004.050091	Break shoe of handbrake	4	
9	3.01.003.070005	C fender screw	8	
10	3.01.003.100039	C fender nut	8	
11	3.01.005.010001	C brake drum	2	
12	3.01.003.100045	C brake drum nut	8	
13	3.01.004.050112	Handbrakebrake wheel cylinder	2	

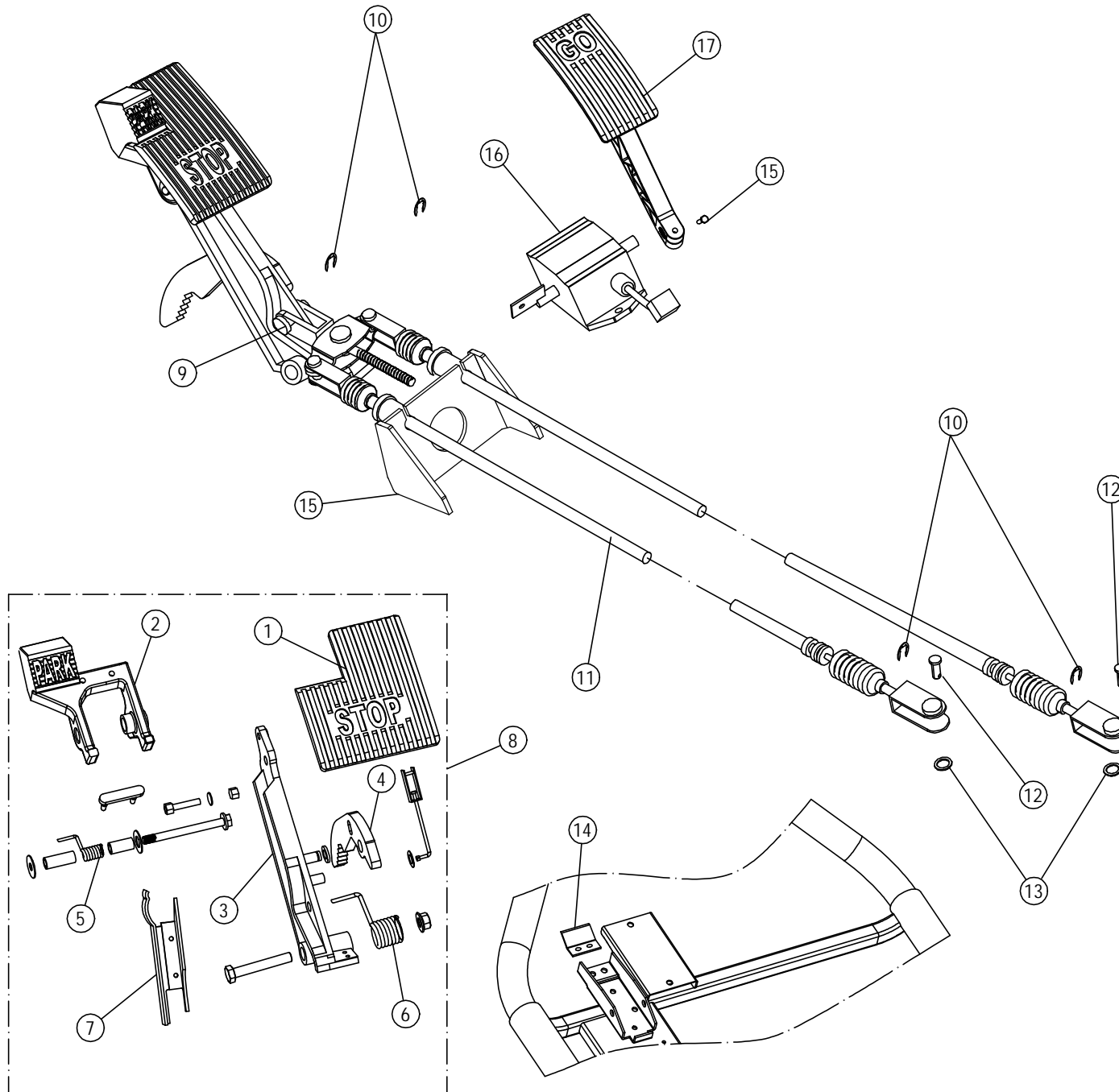


### Transaxle system (2)

NO:	Code	Name	QTY	Remark
1	3.01.004.010147	A627 disc brake transaxle-2	1	12.31:1
	3.01.004.010109	A627 transaxle-D	1	16:1
	3.01.004.010128	A627 disc brake transaxle for lifted cart	1	12.31:1
2	3.02.014.000094	Input axle seal	1	
3	2.01.001.010258	Input axle gear gasket	1	
4	3.01.006.000115	Input axle spring	1	
5	2.01.001.010259	Input axle round gasket	1	
6	3.01.004.110106	A627 rear brake pincers for lifted cart/R	1	
7	3.01.004.110105	A627 rear brake pincers for lifted cart/L	1	
8	3.01.004.900071	A627 rear brake shoe for lifted cart	4	
9	2.01.004.210068	A627 disc brake rear axle fender	2	
	3.01.006.200086	A627.2G disc brake rear axle fender	2	
10	3.01.005.010037	Φ200 rear brake disc	2	
	3.01.006.200085	Rear brake disc for lifted cart	2	
11	3.01.003.100045	C brake drum nut	8	

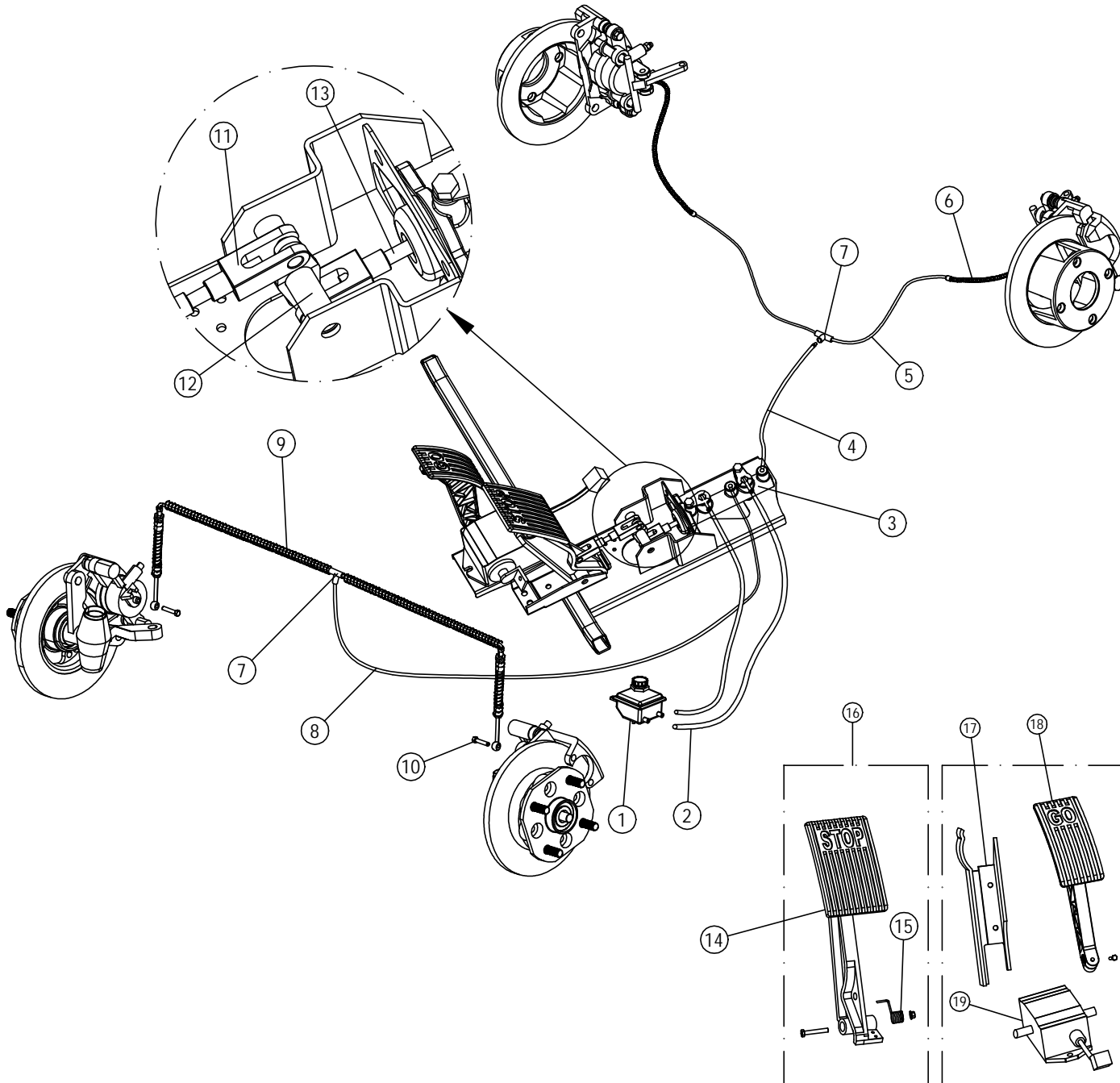






Brake system(1)

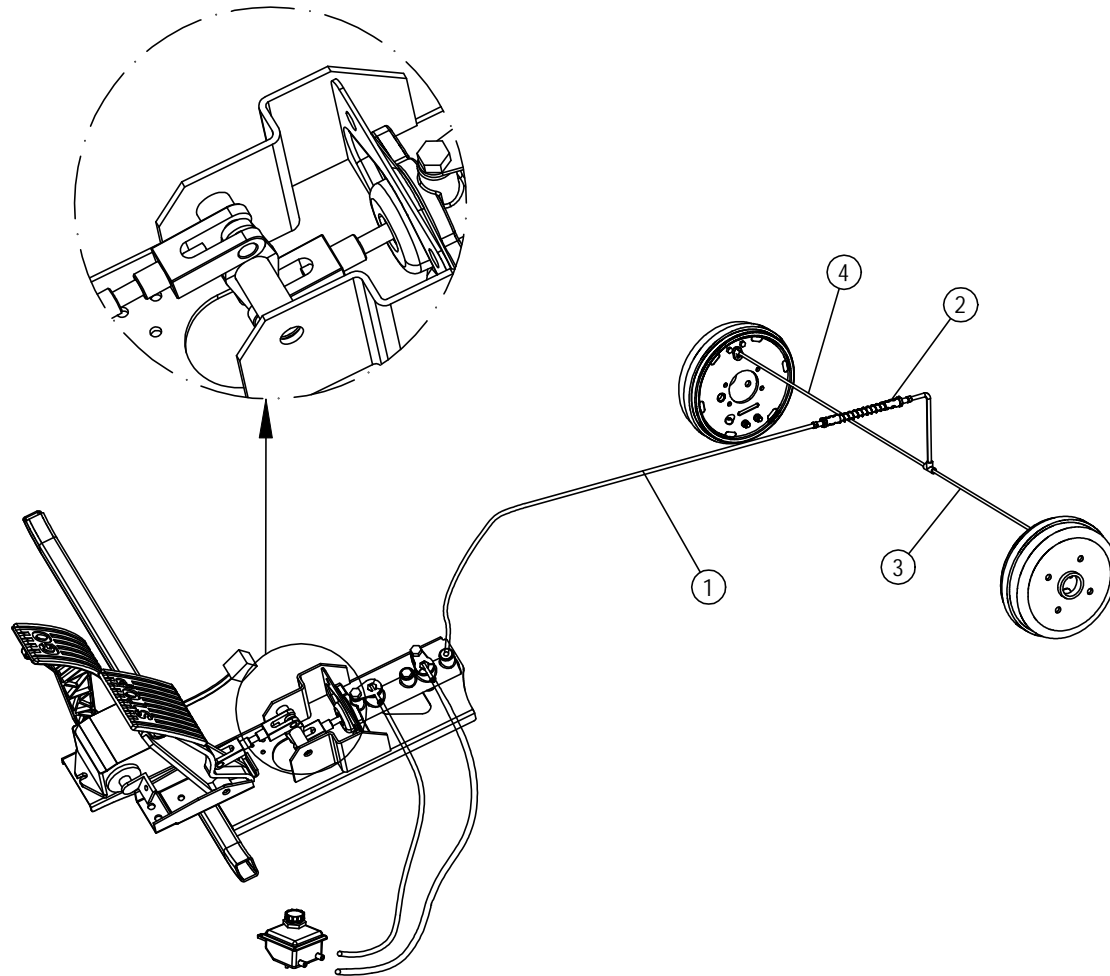
NO:	Code	Name	QTY	Remark
1	3.01.004.050088	Brake pedal	1	
2	2.01.004.010337	Parking pedal	1	
3	3.01.004.050040	Brake pedal support	1	
4	3.02.014.200010	Brake hook	1	
5	3.01.004.050048	Parking pedal spring	1	
6	2.01.004.010271	Brake pedal spring	1	
7	3.02.014.000092	Brake padel support collar	1	
8	3.01.004.060004	Brake pedal assy	1	
9	3.01.004.040022	Front nail	1	10*25
10	3.01.003.070036	Jump ring	4	Ø7
11	3.01.004.900042	Brake pull cable	1	A627.2/2+2
	3.01.004.900043	Brake pull cable	1	A627.4/4+2
	3.01.004.900044	Brake pull cable	1	A627.6/6+2
	3.01.004.040007	Brake pull cable	1	A627.H2
	3.01.004.040010	Brake pull cable	1	A627.H8/GC
	3.01.004.040051	Brake pull cable	1	A627.2G/2+2G
	3.01.004.040058	Brake pull cable	1	A627.4G/4+2G
	3.01.004.040059	Brake pull cable	1	A627.H8G
12	3.01.004.040021	Rear nail	2	8*22
13	3.01.003.080004	Gasket	2	1.2*8*20
14	3.01.004.050033	Brake pedal panel	1	
15	3.01.003.060015	Flange screw	1	6*35
16	3.03.005.000001	Accelerator Hall-A	1	
	3.03.005.000009	Resistive accelerator-3	1	
17	3.01.004.900025	Brake pedal support	1	



### Brake system(2)

NO:	Code	Name	QTY	Remark
1	3.01.004.050085	Brake oil tank	1	
2	3.01.004.030039	Oil tank pipe	1	
3	3.01.004.050005	Brake master cylinder	1	7/8
4	3.01.004.030006	Brake steel oil pipe 370	1	A627.2/2+2/H8 A627.2G/2+2G/H8G
	3.01.004.030060	Brake steel oil pipe 1210	1	A627.4/4+2 A627.4G/4+2G
	3.01.004.030071	Brake steel oil pipe 2100	1	A627.6/6+2
5	3.01.004.030009	Brake steel oil pipe 750	2	A627.2/2+2/4+2 A627.2G/2+2G/4G/4+2G A627.6/6+2
	3.01.004.030009	Brake steel oil pipe 1600	2	A627.H8/H8G
6	3.01.004.030040	Rear plastic oil pipe	2	600mm
7	3.01.004.050028	Disc brake tee	2	
8	3.01.004.030005	Brake steel oil pipe 1010	1	
9	3.01.004.030042	Rear plastic oil pipe	2	
10	3.01.003.070041	Hollow screw	2	Ø10
11	3.01.004.050043	Brake master cylinder connecting rod	2	
12	2.01.004.010176	Accelerator conversion structure	1	
13	3.01.004.050107	A627 brake master cylinder putter	1	
14	3.01.004.050040	Brake pedal support	1	
15	2.01.004.010271	Brake pedal spring	1	
16	3.01.004.060005	Brake pedal assy	1	
17	3.02.014.000092	Brake padel support collar	1	
18	3.01.004.900025	Brake pedal support	1	
19	3.03.005.000014	Accelerator Hall-C	1	
	3.03.005.000015	Resistive accelerator-4	1	

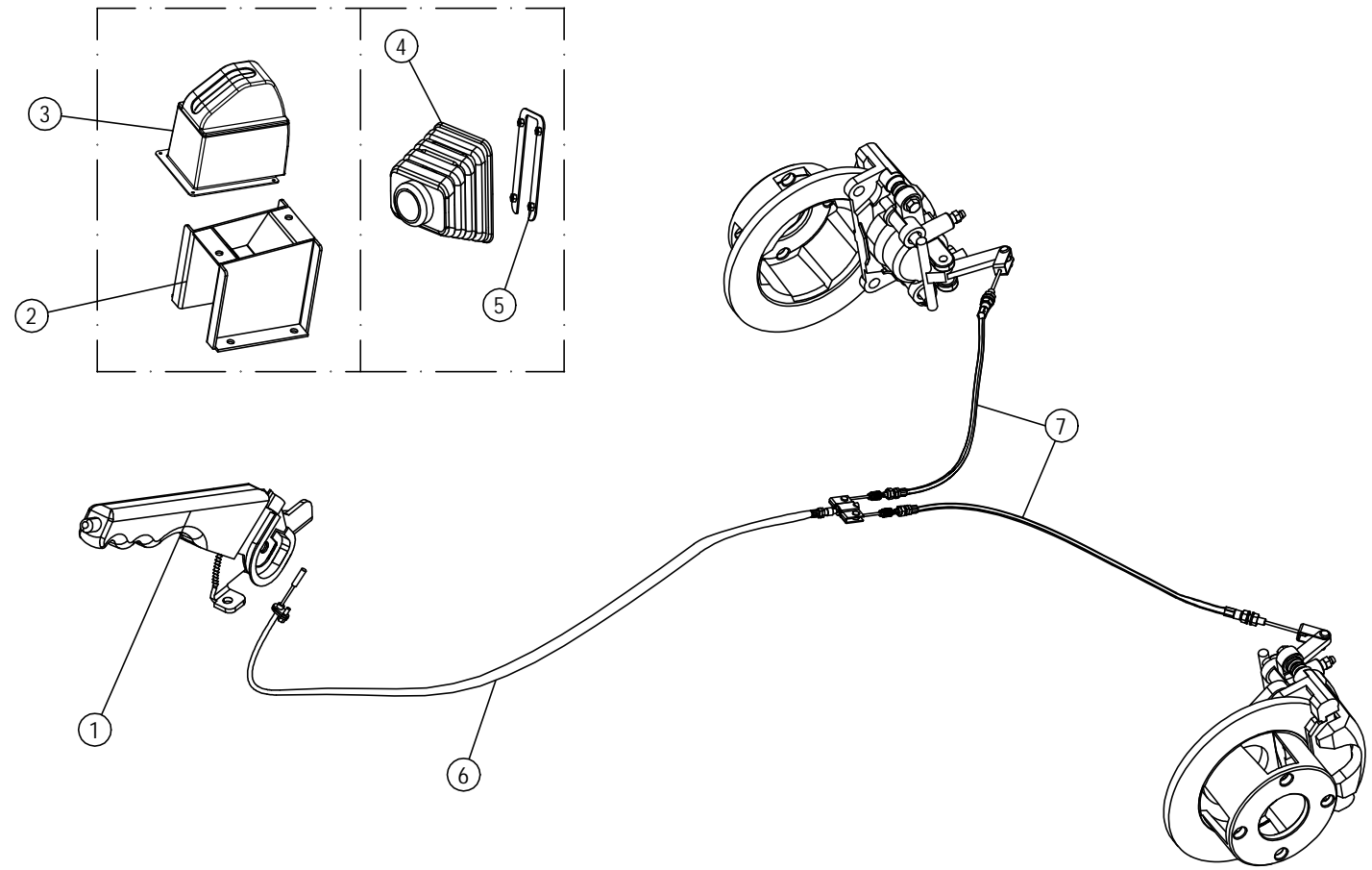




Brake system(4)

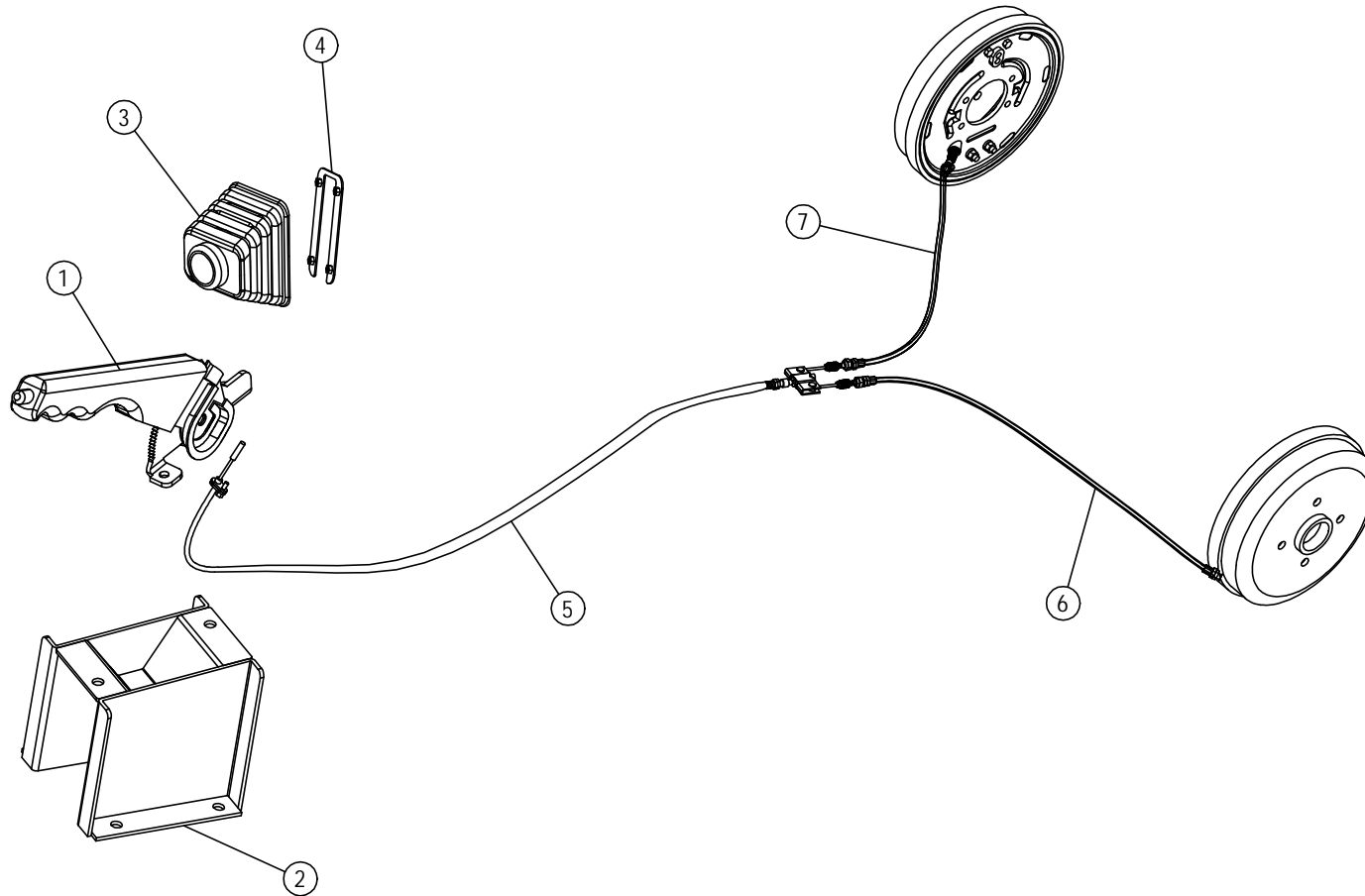
NO:	Code	Name	QTY	Remark
1	3.01.004.030009	Brake steel oil pipe	1	A627.2G/2+2G
	3.01.004.030075	Brake steel oil pipe	1	A627.4G/4+2G
2	3.01.004.030037	Rear soft oil pipe	1	
3	3.01.004.030061	Brake steel oil pipe	1	
4	3.01.004.030057	Brake steel oil pipe	1	

Hand brake system(1)



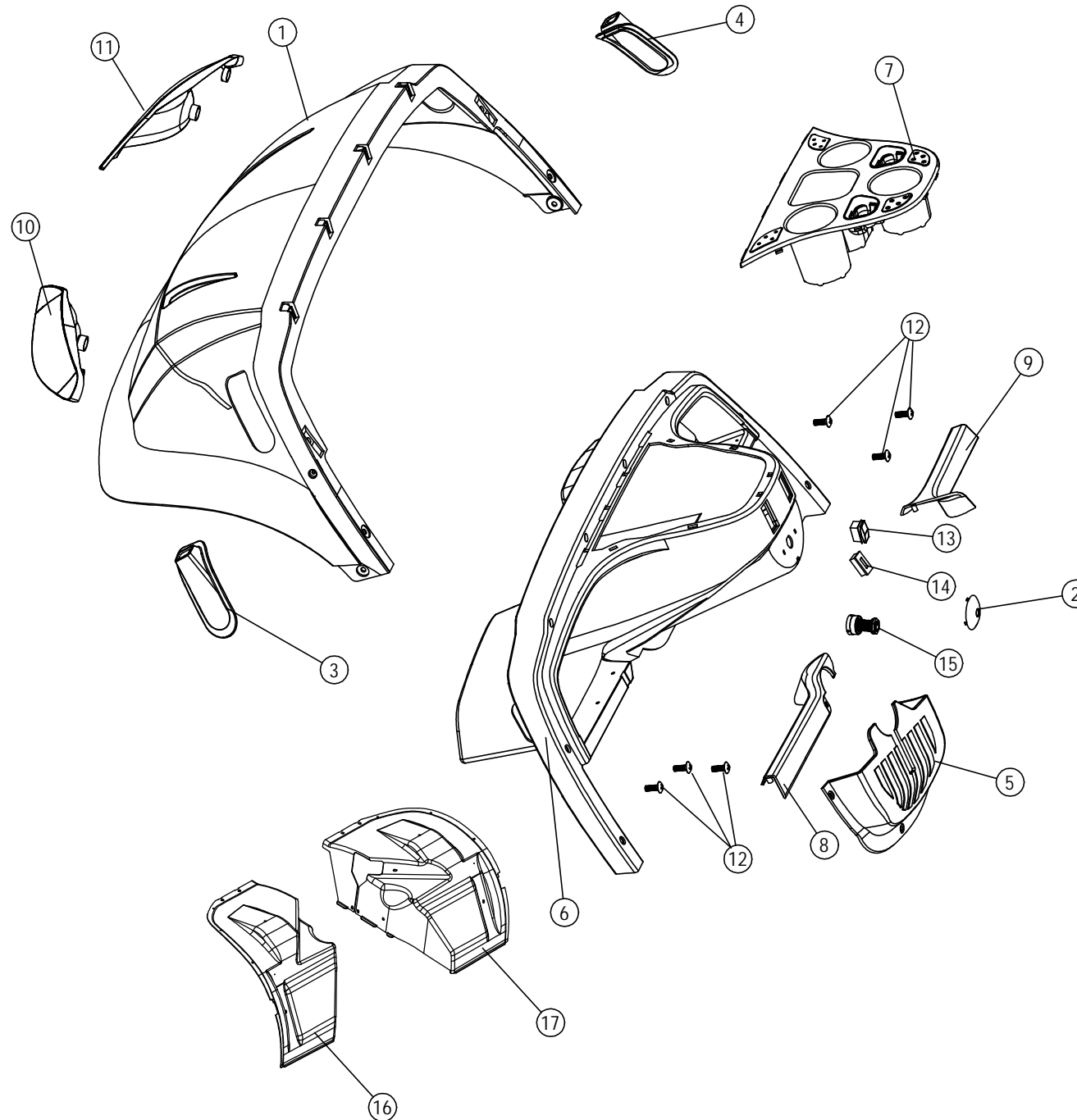
NO:	Code	Name	QTY	Remark
1	2.01.003.070152	A627 Brake handle	1	
2	2.01.004.010095	A627.2 handbrake base	1	A627.2/2+2 A627.2G/2+2G
3	3.02.011.000196	A627 handbrake cover	1	A627.2/2+2 A627.2G/2+2G
4	3.02.014.000016	S8.FA handbrake leather cover	1	
5	2.01.004.080077	A627 handbrake leather cover fixing plate	1	
6	3.01.004.900061	A627.2 drum brake front cable	1	A627.2/2+2
	3.01.004.040024	S4P drum brake front cable(long)	1	A627.4/4+2
	3.01.004.900045	A627.6 drum brake front cable	1	A627.6/6+2
	3.01.004.900055	A627.H8 drum brake front cable	1	A627.H8
	3.01.004.900056	Hand brake front cable	1	A627.2G/2+2G
	3.01.004.900073	Hand brake front cable	1	A627.4G/4+2G
7	3.01.004.900077	Hand brake front cable	1	A627.H8G
	3.01.004.040077	Drum brake rear cable	2	
	3.01.004.900057	Hand brake rear cable	2	

220



**Hand brake system(2)**

NO:	Code	Name	QTY	Remark
1	2.01.003.070152	Brake handle	1	
2	2.01.004.080059	A627.2G handbrake base	1	220
3	3.02.014.000016	S8.FA handbrake leather cover	1	
4	2.01.004.080077	A627 handbrake leather cover fixing plate	1	
5	3.01.004.900061	A627.2 drum brake front cable	1	A627.2/2+2
	3.01.004.040024	S4P drum brake front cable(long)	1	A627.4/4+2
	3.01.004.900045	A627.6 drum brake front cable	1	A627.6/6+2
	3.01.004.900056	Hand brake front cable	1	A627.2G/2+2G
	3.01.004.900073	Hand brake front cable	1	A627.4G/4+2G
6	3.01.004.900058	Drum brake rear cable/L	1	220
	3.01.004.040046	A627 drum brake rear cable	1	
7	3.01.004.900059	Drum brake rear cable/R	1	220
	3.01.004.040046	A627 drum brake rear cable	1	

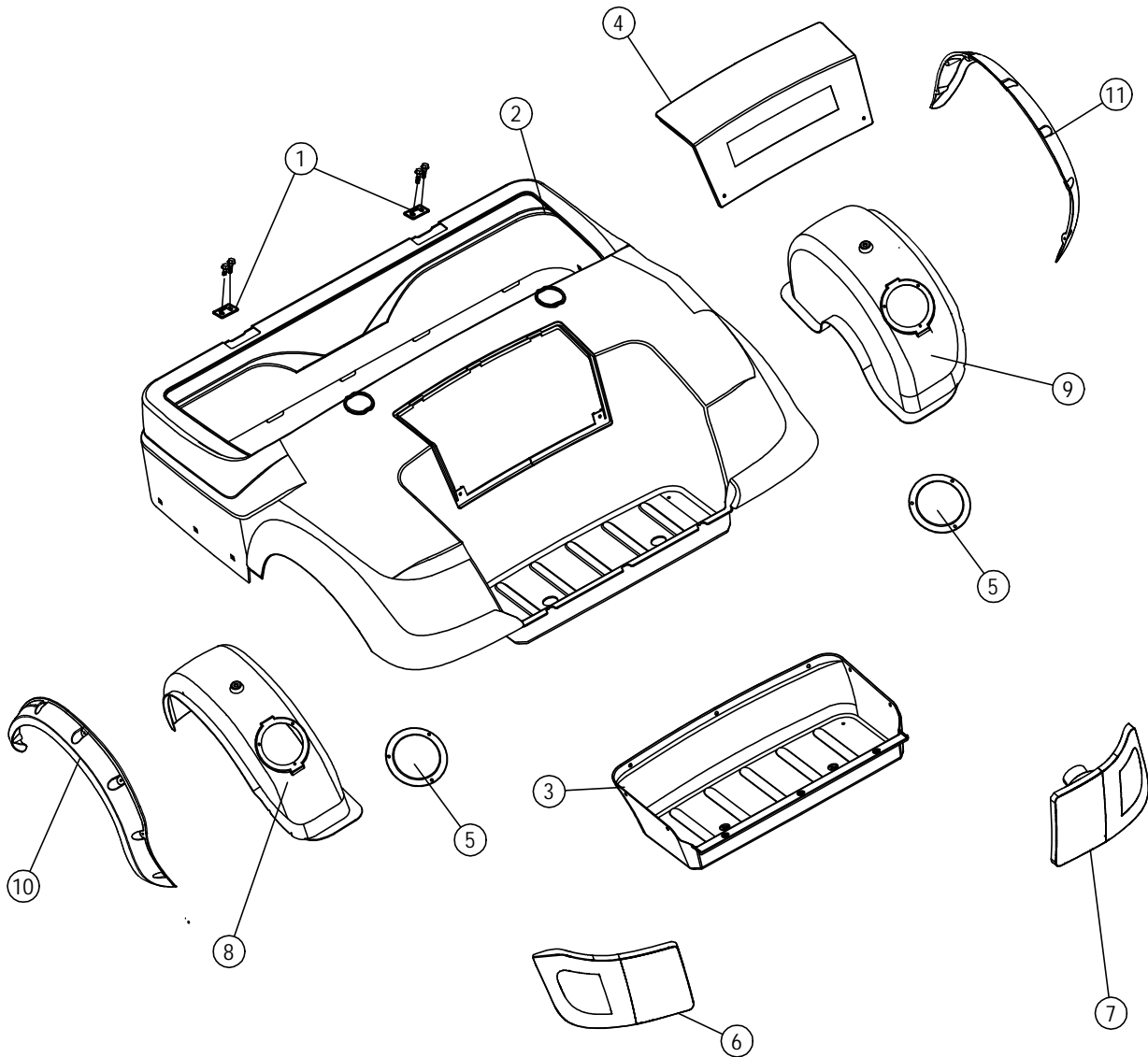


### Front body cover(1)

NO:	Code	Name	QTY	Remark
1	3.02.011.300066	A627 Front Cover-B	1	
2	3.02.011.300038	A627 Electric lock cover	1	
3	3.02.011.300058	Front support decoration cover/L	1	
4	3.02.011.300059	Front support decoration cover/R	1	
5	3.02.011.300107	A627 steering column trim cover-C	1	
6	3.02.011.300067	A627 Front dashboard-B	1	
7	3.02.011.300027	A627 Cup base	1	
8	3.02.011.300075	A627 Ball cabinet cover/L	1	
9	3.02.011.300043	A627 Ball cabinet cover/R	1	
10	3.03.001.900023	Integrated front head light/L	1	
11	3.03.001.900024	Integrated front head light/R	1	
12	3.01.003.110003	Cross recessed flat head tapping screws	6	M5*16
13	3.03.002.000013	Switch F/R	1	
14	3.03.011.000007	Power indicator 48V	1	
15	3.03.002.000027	Key switch	1	
16	3.02.011.600100	A627 front fender L	1	
17	3.02.011.600101	A627 front fender R	1	





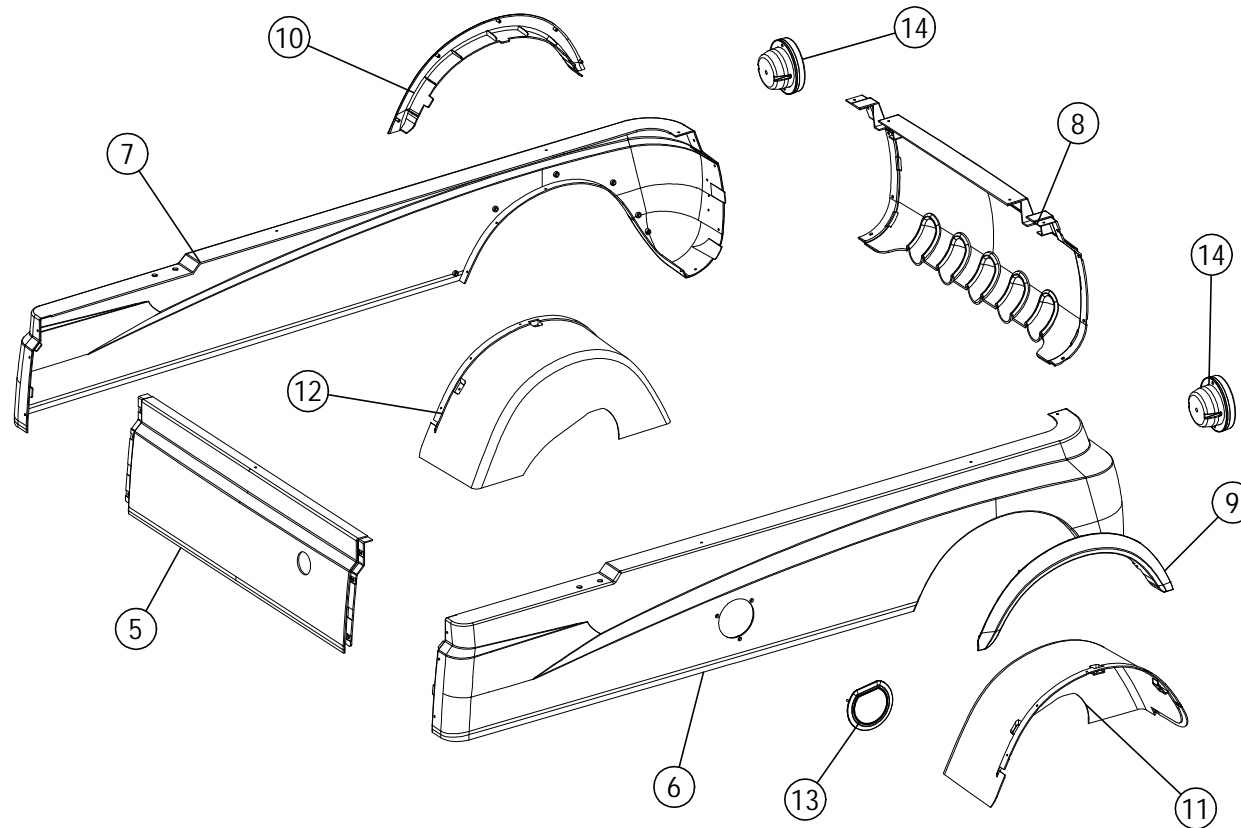
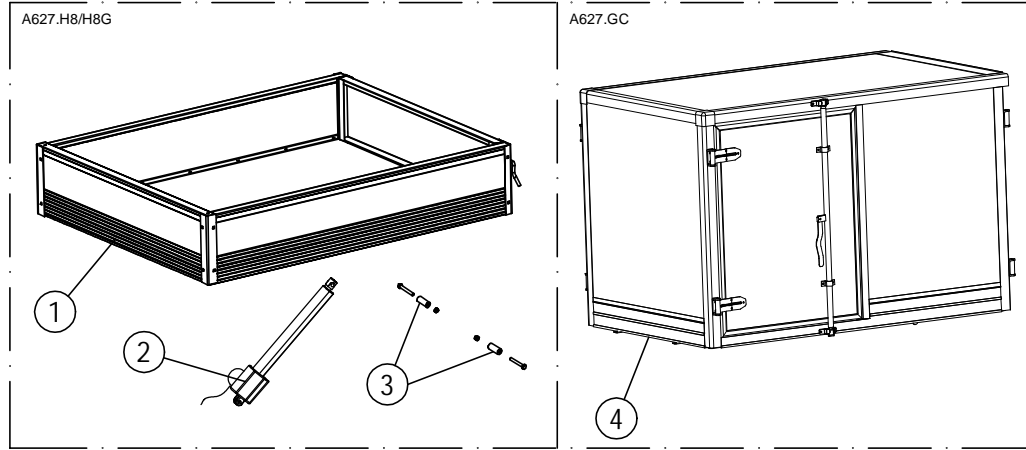


Rear body cover(1)

NO:	Code	Name	QTY	Remark
1	2.01.001.200002	A627 Seat Cushion Hinge down	2	
2	3.02.011.300068	A627 Rear Body cover-B	1	
3	3.02.011.300017	A627 Golf bag plate	1	
4	3.02.011.300074	A627 Rear body cover board-B	1	
5	3.02.011.300064	A627 Repair board for rear light	2	
6	3.03.001.900025	Integrated rear light/L	1	
7	3.03.001.900026	Integrated rear light/R	1	
8	3.02.011.300062	A627 Rear Fender L-B	1	
	2.02.003.070021	A627.2G Rear Fender for lifted cart/L	1	
9	3.02.011.300063	A627 Rear Fender R-B	1	
	2.02.003.070020	A627.2G Rear Fender for lifted cart/R	1	
10	3.02.011.300056	Rear wheel trims/L	1	A627.2G/4G
	3.02.011.300087	rear wheel trims/L	1	A627.2+2G/4+2G
11	3.02.011.300057	Rear wheel trims/R	1	A627.2G/4G
	3.02.011.300088	rear wheel trims/R	1	A627.2+2G/4+2G



A627.H8/GC/H8G

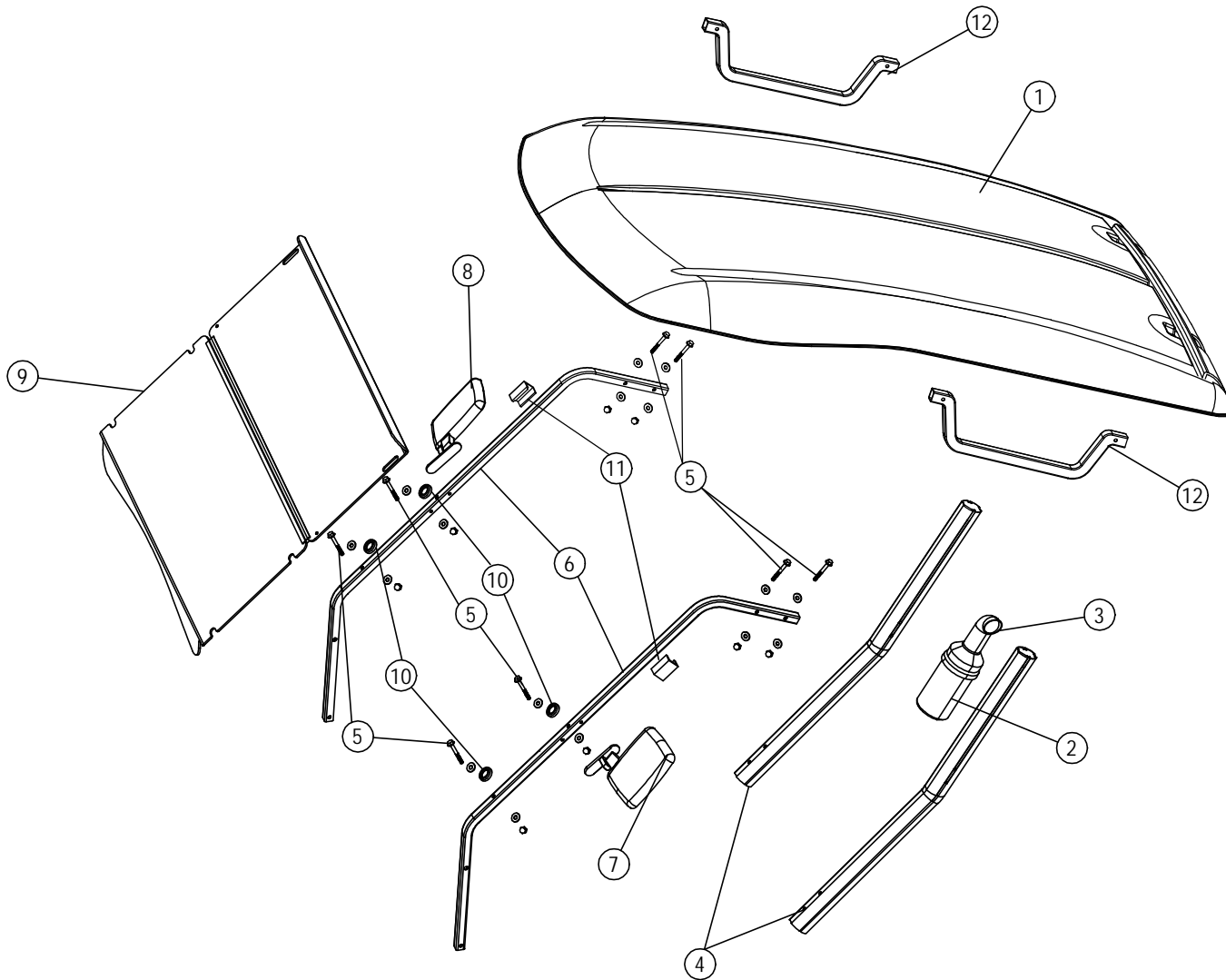


Rear body cover(3)

NO:	Code	Name	QTY	Remark
1	5.01.002.300021	Aluminum cargo box	1	
2	3.01.004.100011	Electrical lift rod	1	
3	3.01.006.000008	Collar	2	Ø20*46
4	3.01.006.000425	A2.GC Picnic car box	1	
5	3.02.011.900042	H8 rear cover/front	1	
6	3.02.011.900044	H8 rear cover/L	1	
7	3.02.011.900045	H8 rear cover/R	1	
8	3.02.011.900043	H8 rear cover/rear	1	
9	3.02.011.900048	Rear tire decoration cover/L	1	A627.H8/GC
	3.02.011.300091	Front wheel trims/L	1	A627.H8G
10	3.02.011.900049	Rear tire decoration cover/R	1	A627.H8/GC
	3.02.011.300092	Front wheel trims/R	1	A627.H8G
11	3.02.011.900046	Rear Fender L	1	A627.H8/GC
	3.02.011.900050	Rear Fender L	1	A627.H8G
12	3.02.011.900047	Rear Fender R	1	A627.H8/GC
	3.02.011.900051	Rear Fender R	1	A627.H8G
13	3.02.011.900052	Rear cover observation window	1	
14	3.03.001.000009	Tail light	2	



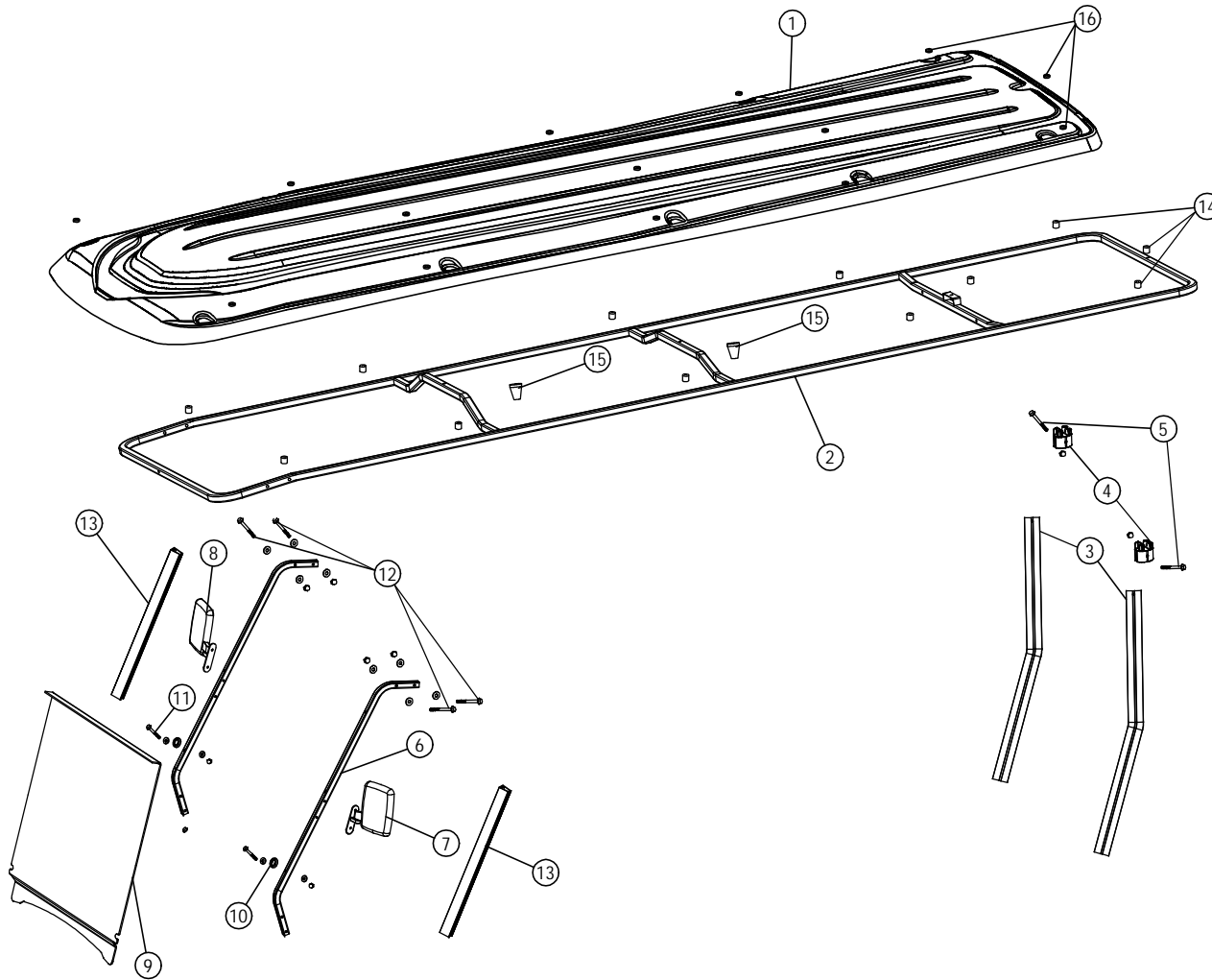
A627.2/2G



Top roof (1)

NO:	Code	Name	QTY	Remark
1	2.02.001.150010	A627.2 Top roof	1	
2	3.02.014.000134	Sand barrels(outer)	1	
3	3.02.014.000135	Sand barrels(inter)	1	
4	2.01.007.800036	A627.2 Top roof rear support	2	
5	3.01.003.060023	Screw	8	M8*45
6	2.01.004.210025	A627.2 Windshield support-B	2	
7	3.02.013.000049	A627 Side mirror/L	1	
8	3.02.013.000050	A627 Side mirror/R	1	
9	3.02.012.000153	A627.2 foldable windshield	1	
10	3.02.012.000059	Fold windshield rubber	4	
11	3.02.012.000051	Windshield retain rubber	2	
12	3.02.011.200006	A-U Roof Handle	2	

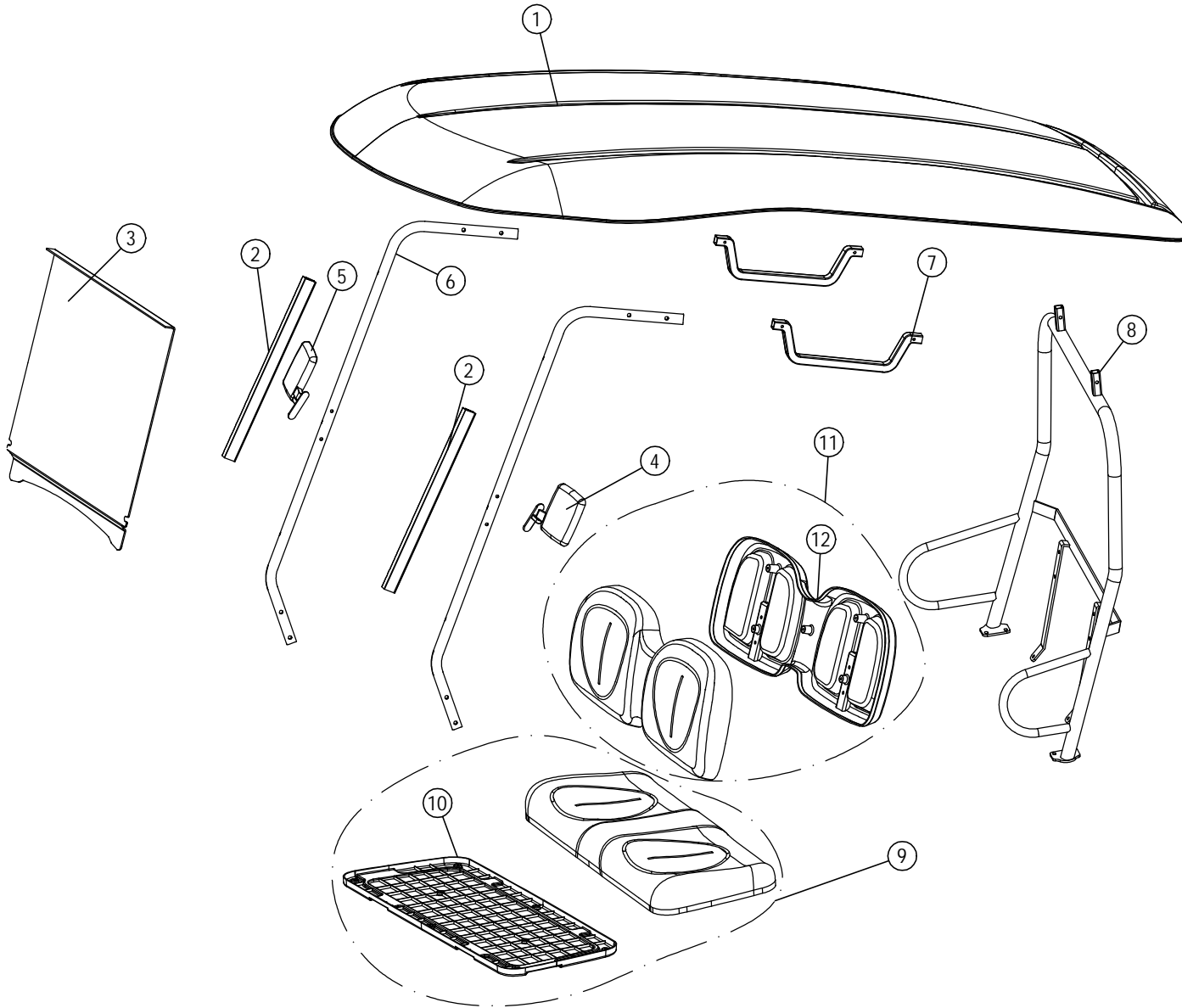
A627.2+2/4/4+2/6/6+2/2+2G/4G/4+2G



Top roof (2)

NO:	Code	Name	QTY	Remark
1	2.02.001.160011	A627.4 Top roof	1	A627.2+2/4 A627.2+2G/4G
	2.02.001.170007	A627.6 Top roof	1	A627.4+2/6 A627.2+2G
	2.02.001.180006	A627.6+2 Top roof	1	A627.6+2
2	2.01.004.210020	A627.2+2 top roof support	1	A627.2+2/4 A627.2+2G/4G
	2.01.007.800038	A627.4+2 top roof support	1	A627.4+2/6 A627.2+2G
	2.01.007.800068	A627.6+2 top roof support	1	A627.6+2
3	2.01.007.800011	A627 Top roof rear support	2	
4	3.02.011.300053	Connecting seat of top roof rear support	2	
5	3.01.003.060035	Screw	2	M8*70
6	2.01.004.210026	A627.2+2 Windshield support-B	2	
7	3.02.013.000049	A627 Side mirror/L	1	
8	3.02.013.000050	A627 Side mirror/R	1	
9	3.02.012.000155	A627.2 +2 Windshield	1	
10	3.02.012.000059	Fold windshield rubber	2	
11	3.01.003.060023	Screw	2	M8*45
12	3.01.003.060031	Screw	4	M8*60
13	3.02.012.000040	Windshield retain clip	2	730
14	3.02.011.000041	Top roof rubber column	7	A627.2+2/4 A627.2+2G/4G
			10	A627.4+2/6 A627.2+2G
			12	A627.6+2
15	3.02.011.000036	Top roof rubber column	1	A627.2+2/4 A627.4+2/6 A627.2+2G/4G A627.4+2G
			2	A627.6+2
16	3.02.011.000040	Top roof rubber collar	8	A627.2+2/4 A627.2+2G/4G
			11	A627.4+2/6 A627.2+2G
			14	A627.6+2

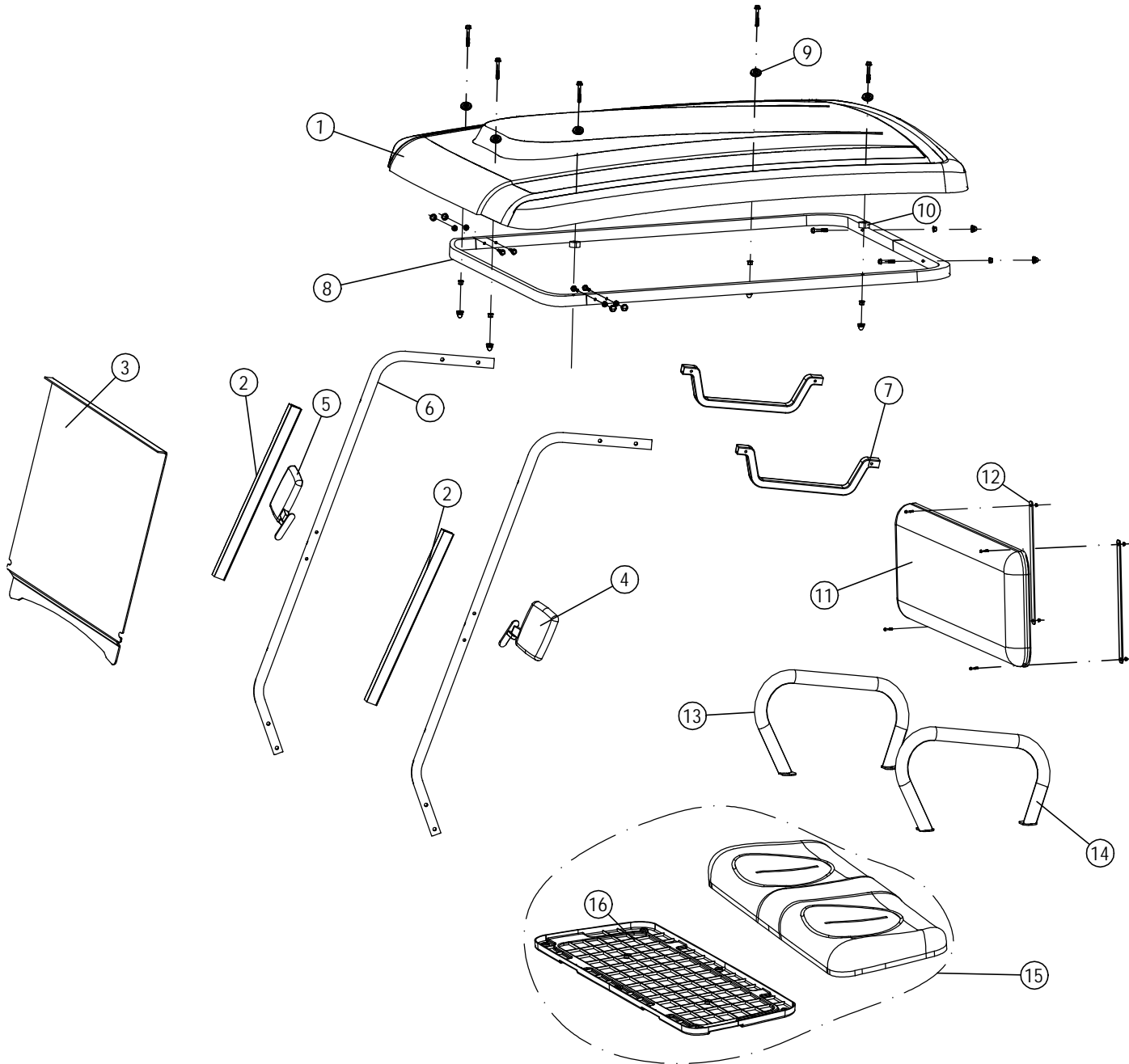
A627.H2/H8/H8G



Top roof (3)

NO:	Code	Name	QTY	Remark
1	2.02.001.110002	A-U2 top roof	1	
2	3.02.012.000040	Windshield retain clip	2	730mm
3	3.02.012.000165	A627.2 windshield	1	
4	3.02.013.000049	A627 Side mirror/L	1	
5	3.02.013.000050	A627 Side mirror/R	1	
6	2.01.007.800072	A627.H windshield frame	2	
7	3.02.011.200006	A-U Roof Handle	2	
8	2.01.007.800073	A627.H rear support	1	
9	2.02.007.010023	A627 rear seat cushion	1	
10	3.02.011.300041	A627 front seat armrest	1	
11	2.02.007.010024	A627 rear seat back	1	
12	3.02.011.300028	A627 rear seat back cover	1	

A627.GC



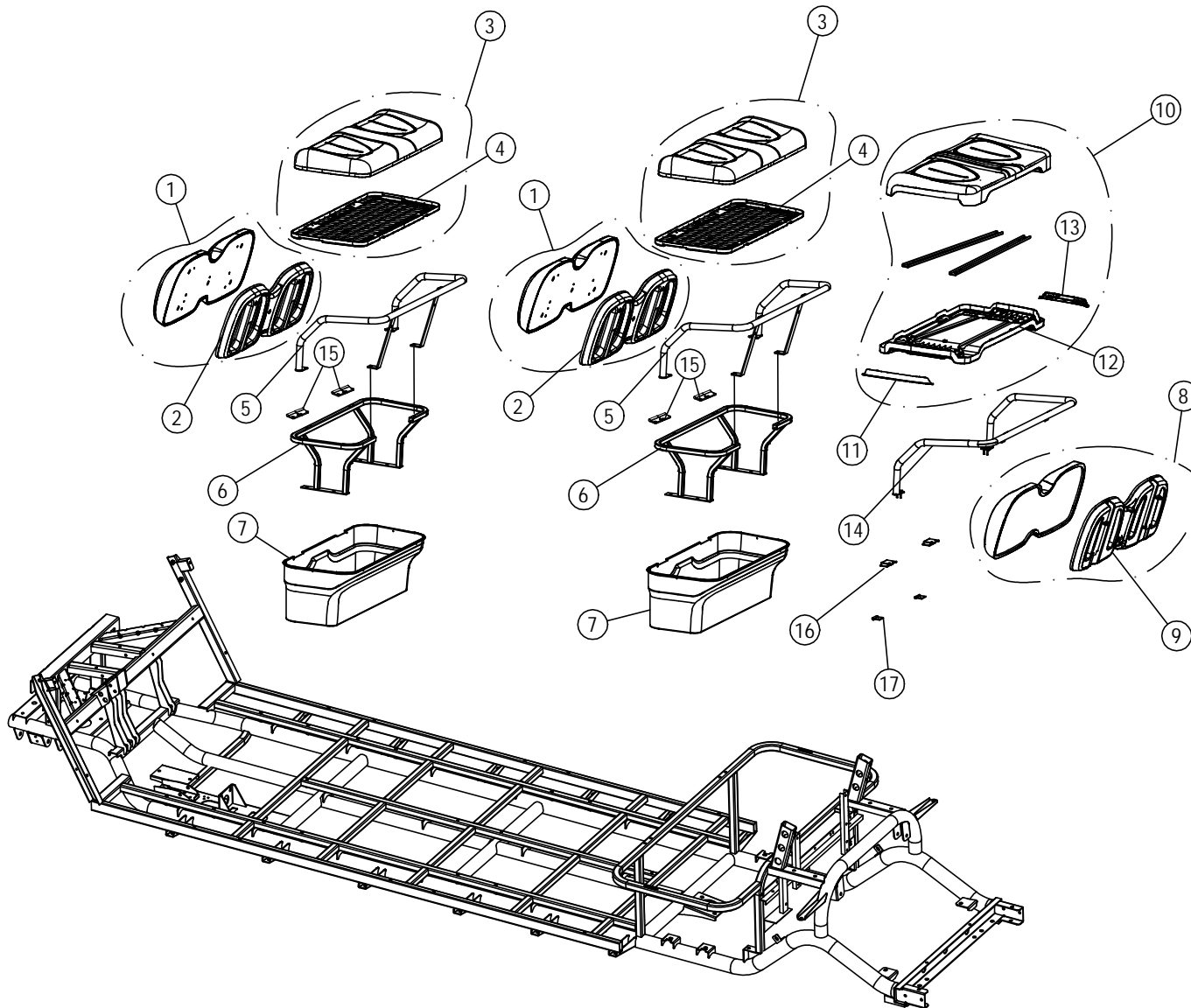
Top roof (4)

NO:	Code	Name	QTY	Remark
1	2.02.001.010248	A2.GC top roof	1	
2	3.02.012.000040	Windshield retain clip	2	730mm
3	3.02.012.000165	A627.2 windshield	1	
4	3.02.013.000049	A627 Side mirror/L	1	
5	3.02.013.000050	A627 Side mirror/R	1	
6	2.01.007.800069	A627.GC windshield frame	2	
7	3.02.011.200006	A-U Roof Handle	2	
8	2.01.004.030051	A627.GC top roof support	1	
9	3.02.011.000040	Top roof rubber collar	5	
10	3.02.011.000041	Top roof rubber column	5	
11	3.02.006.000122	Rear seat back	1	
12	2.01.004.030050	A2.GC seat back base	2	
13	2.01.004.030048	A2.GC armrest/R	1	
14	2.01.004.030049	A2.GC armrest/L	1	
15	2.02.007.010023	A627 rear seat cushion	1	
16	3.02.011.300041	A627 front seat armrest	1	



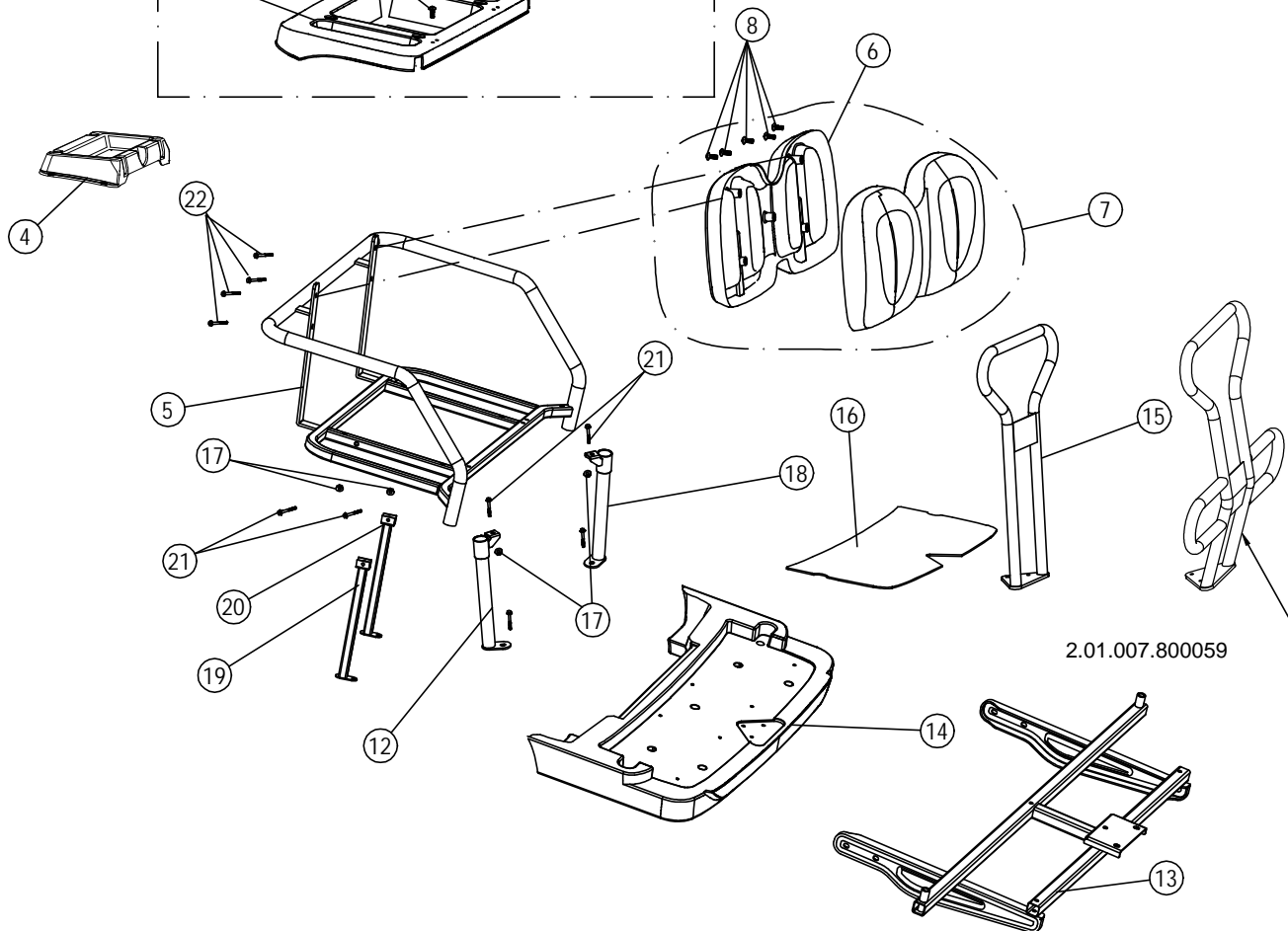
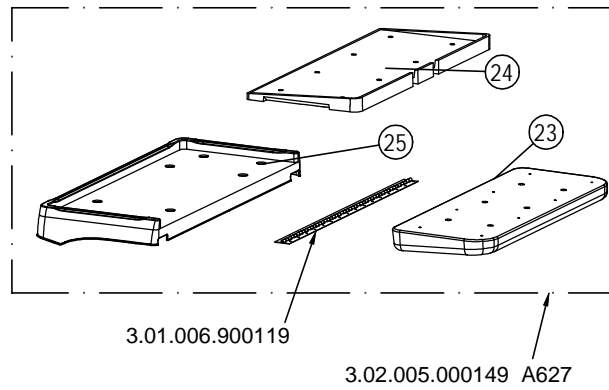
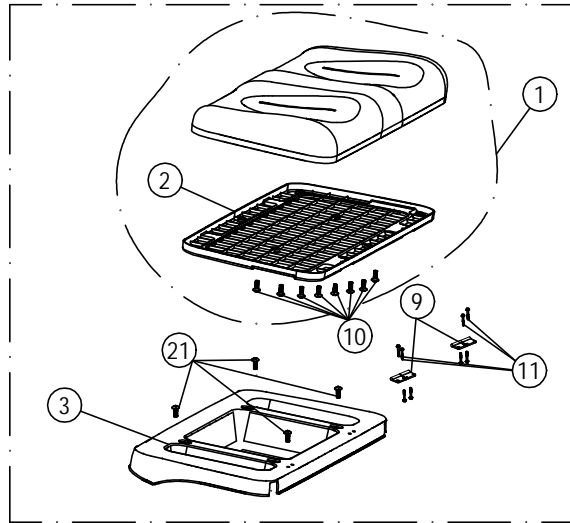


A627.4/4+2/6/6+2/4G/4+2G



Seat parts(2)

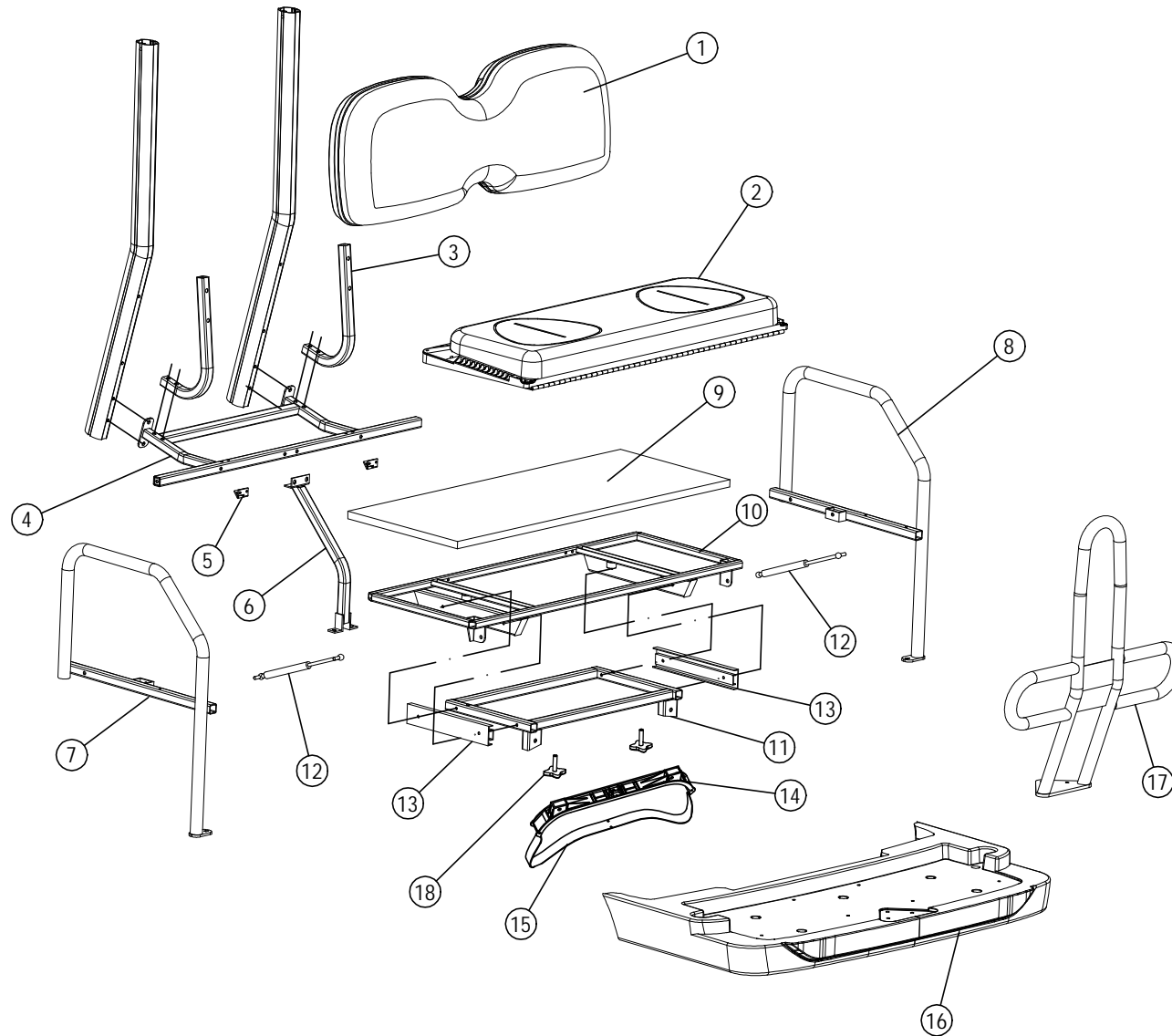
NO:	Code	Name	QTY	Remark
1	2.02.007.010024	A627 rear seat back	1	A627.4/4+2
			2	A627.6/6+2
2	3.02.011.300028	A627 rear seat back cover	1	A627.4/4+2 A627.4G/4+2G
			2	A627.6/6+2
3	2.02.007.010023	A627 rear seat cushion	1	A627.4/4+2 A627.4G/4+2G
			2	A627.6/6+2
4	3.02.011.300041	A627 rear seat cushion board	1	A627.4/4+2 A627.4G/4+2G
			2	A627.6/6+2
5	2.01.004.210005	A627 front seat armrest	1	A627.4/4+2 A627.4G/4+2G
			2	A627.6/6+2
6	2.01.007.800041	Seat box support	1	A627.4/4+2 A627.4G/4+2G
			2	A627.6/6+2
7	2.02.001.190004	Seat box	1	A627.4/4+2 A627.4G/4+2G
			2	A627.6/6+2
8	2.02.007.010035	A627 Seat back	1	
9	3.02.011.300076	A627 Back cover-B	1	
10	2.02.007.010034	A627 Cushion-B	1	
11	3.02.011.300082	A627 Cushion baseboard decoration cover/L	1	
12	3.02.011.300078	A627 Cushion baseboard-B	1	
13	3.02.011.300083	A627 Cushion baseboard decoration cover/R	1	
14	2.01.007.800062	A627 rear seat armrest	1	
15	3.01.006.200090	Seat Cushion hinge	2	A627.4/4+2 A627.4G/4+2G
			4	A627.6/6+2
16	2.01.001.200001	A627 Seat Cushion hinge up	2	
17	2.01.001.200002	A627 Seat Cushion Hinge down	2	



### Rear seat parts(1)

NO:	Code	Name	QTY	Remark
1	2.02.007.010023	A627 rear seat cushion	1	
2	3.02.011.300041	A627 rear seat cushion board	1	
3	3.02.011.300040	A627 rear seat plastic storage box/big	1	
4	3.02.011.300039	A627 rear seat plastic storage box/small	1	
5	2.01.004.210003	A627 rear seat bottom frame	1	
6	3.02.011.300028	A627 Cushion armrest/R	1	
7	2.02.007.010024	A627 rear seat back	1	
8	3.01.003.110002	Screw	5	M6*15
9	3.01.006.200090	Seat Cushion hinge	2	
10	3.01.003.060005	Screw	8	M6*20
11	3.01.003.040015	Screw	4	M6*40
12	2.01.004.210017	A627 padel underframe rear support/L	1	
13	2.01.004.210004	A627 Caddie padel bottom frame	1	
14	3.02.011.300035	A627 Caddie padel	1	
15	2.01.007.800027	A627 rear seat armrest	1	
16	2.02.007.010025	A627 Caddie padel rubber	1	
17	3.01.003.100014	Screw	10	M8
18	2.01.004.210018	A627 padel underframe rear support/R	1	
19	2.01.004.210019	A627 rear seat front support/L	1	
20	2.01.004.210027	A627 rear seat front support/R	1	
21	3.01.003.060023	Screw	10	M8*45
22	3.01.003.060011	Screw	4	M8*25
23	3.02.005.000132	A627 foldable rear seat cushion	1	
24	3.02.011.300089	A627 foldable rear seat armrest	1	
25	2.01.007.800096	A627 foldable rear seat bottom plate	1	

Rear seat parts(2)



NO:	Code	Name	QTY	Remark
1	2.02.007.010024	A627 rear seat back	1	
2	3.02.006.000166	A627 double fold additional seat assy	1	
3	2.01.004.210035	A627 rear seat back elbow	2	
4	2.01.004.210036	A627 rear seat supporting main parts	1	
5	3.01.006.000024	Seat Cushion hinge	2	40°40°4.0
6	2.01.004.210033	A627 rear seat back supporting tube	1	
7	2.01.004.210037	Armrest/L	1	
8	2.01.004.210038	Armrest/R	1	
9	2.01.004.210046	A627 rear seat frame aluminum plate	1	
10	2.01.004.210039	A627 rear seat frame/down	1	
11	2.01.004.010273	Golf bag frame	1	
12	3.01.006.000496	Hydraulic pole	2	
13	3.01.006.000497	Hydraulic pole	2	120KG 300mm
14	3.02.014.000087	Golf bag frame card strip	1	
15	3.02.014.000086	Golf bag belt	1	
16	3.02.011.300035	A627 Caddy padel	1	
17	2.01.004.210034	A627 real seat armrest	1	
18	3.01.004.110115	Screw	2	M8*40





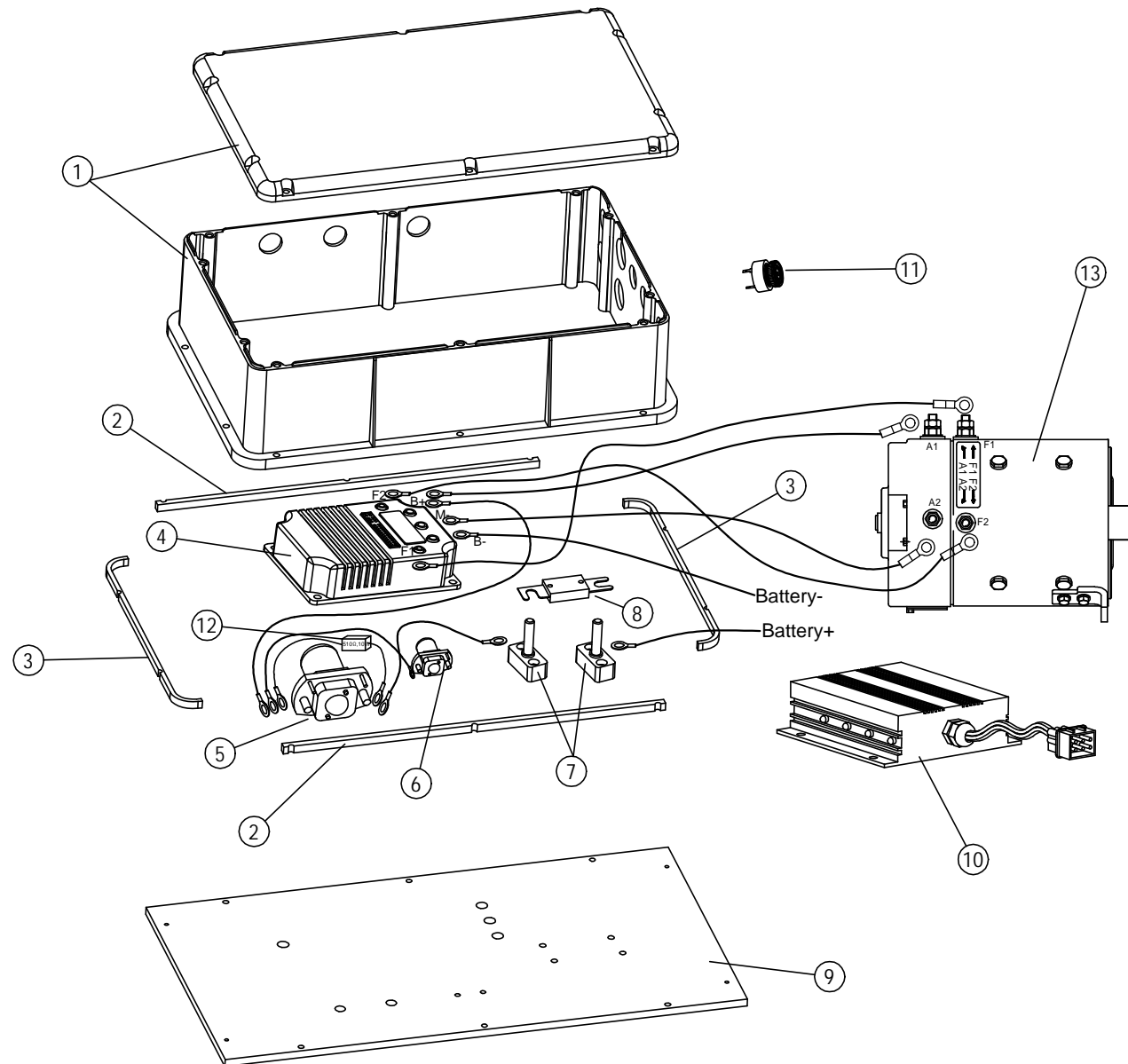












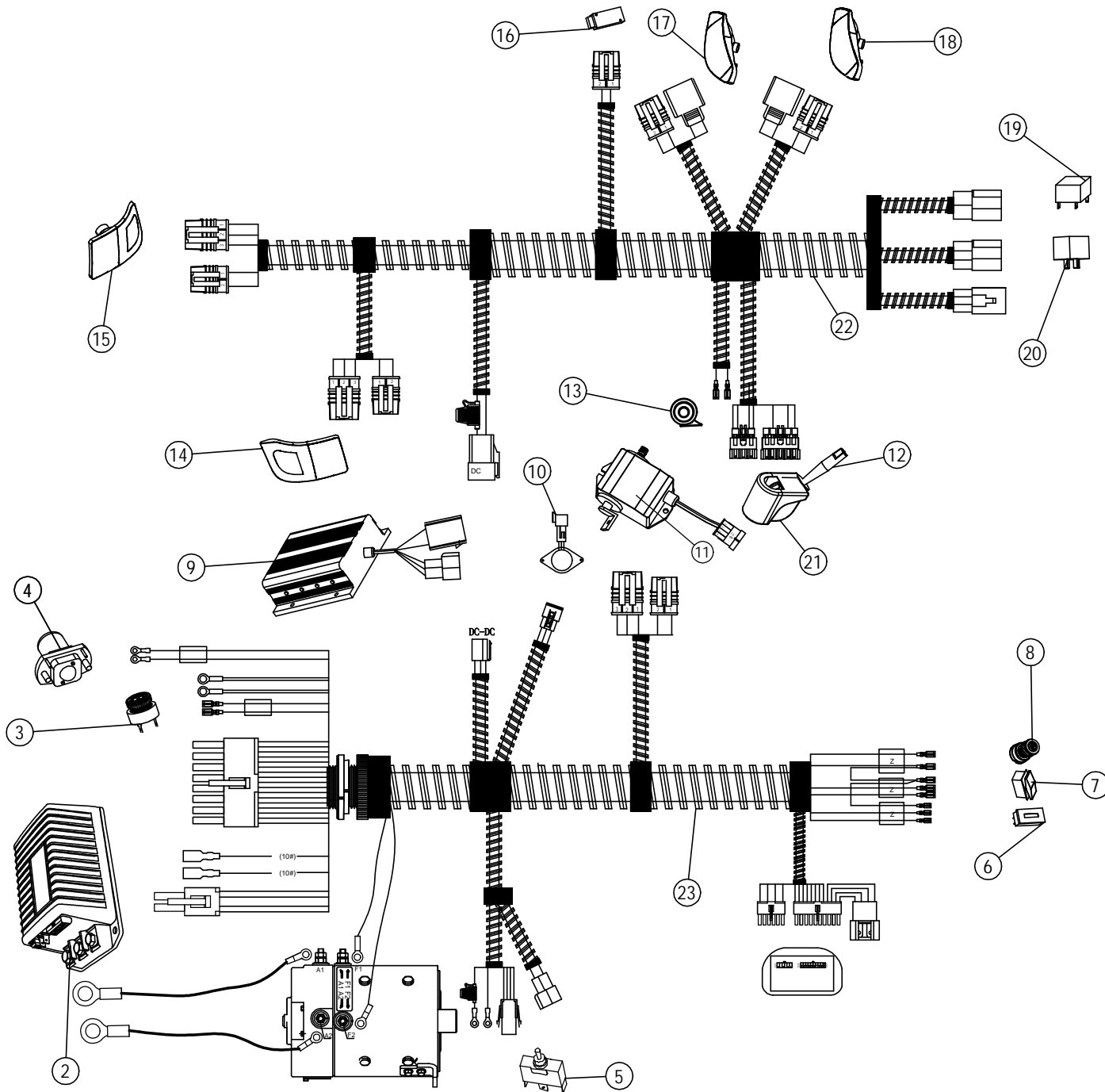
DC system(2)

NO:	Code	Name	QTY	Remark
1	3.02.014.000101	Controller cover top	1	
2	3.02.014.000102	Controller cover base1	2	
3	3.02.014.000103	Controller cover base2	2	
4	3.03.003.000005	Curtis controller 1268-5403	1	
5	3.03.015.000001	48V sensor	1	ZJ200A
6	3.03.015.000003	48V sensor	1	ZJ50A
7	3.03.017.000012	Fuse base	2	
8	3.03.017.000020	Fuse 250A	1	
9	2.02.007.010030	Curtis heatsink board 1268	1	
10	3.03.016.000001	DC/DC convertor	1	48V/300W
11	3.03.010.000004	Buzzer48V	1	
12	3.03.017.000060	Resistance	1	10W
13	3.03.007.000006	ADC DC motor48V-3.7KW / Import	1	10





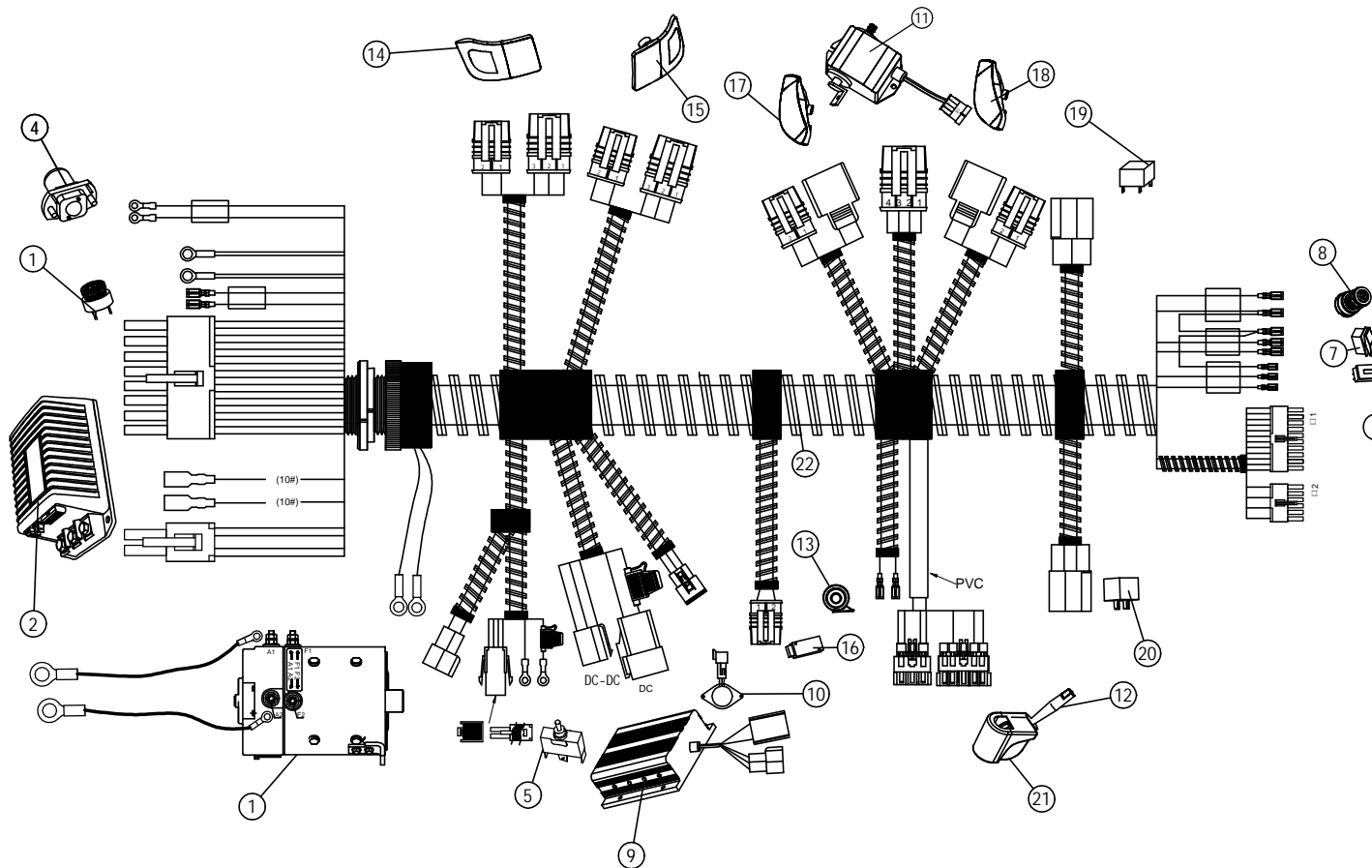




Wire harness diagram(1)

NO:	Code	Name	QTY	Remark
1	3.03.007.000006	ADC DC motor48V-3.7KW / Import	1	
2	3.03.003.000020	Curtis Controller 1266A-5201	1	
3	3.03.010.000004	Buzzer48V	1	
4	3.03.015.000001	48V sensor	1	ZJ200A
5	3.03.002.000004	Two switch(2 level)	1	
6	3.03.011.000007	Power indicator 48V	1	
7	3.03.002.000013	Switch F/R	1	
8	3.03.002.000027	key switch	1	
9	3.03.016.000001	DC/DC convertor	1	48V/300W
10	3.03.007.000037	Speed sensor	1	3.7KW ADC
11	3.03.005.000001	Accelerator Hall-A	1	
12	3.03.011.000025	Single-arm combination switch	1	
13	3.03.010.000007	Fanfare horn	1	
14	3.03.001.900025	Integrated rear light/L	1	
15	3.03.001.900026	Integrated rear light/R	1	
16	3.03.002.000008	Microswitch	1	
17	3.03.001.900023	Integrated front head light/L	1	
18	3.03.001.900024	Integrated front head light/R	1	
19	3.03.017.900004	Fasher	1	
20	3.03.012.000011	Relay	1	
21	3.03.011.000027	Single-arm combination switch board	1	
22	3.03.004.900046	A627 Light wire harness	1	
23	3.03.004.900047	A627.2 Main wire harness	1	

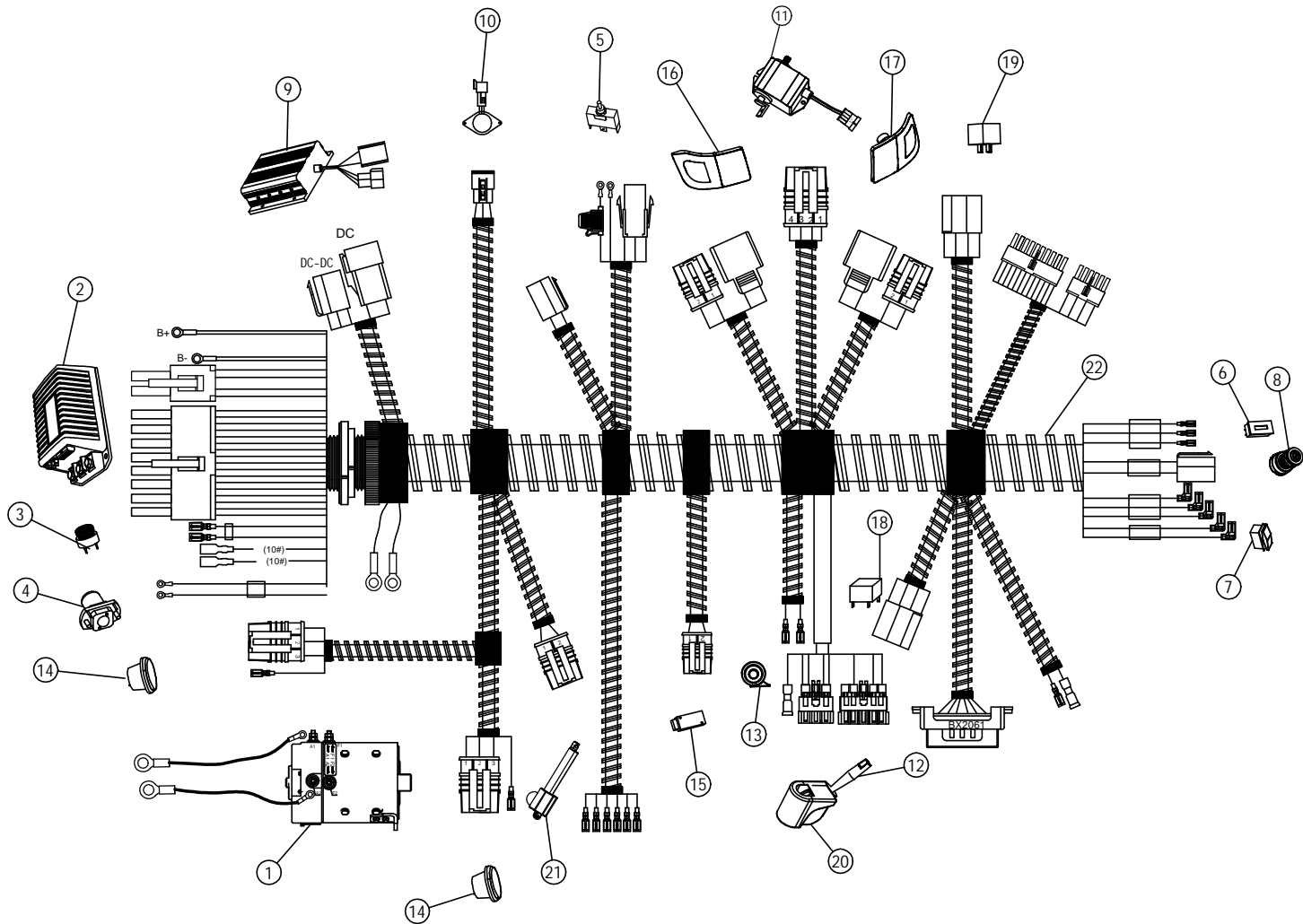
Wire harness diagram(2)



NO:	Code	Name	QTY	Remark
1	3.03.007.000006	ADC DC motor48V-3.7KW / Import	1	
2	3.03.003.000020	Curtis Controller 1266A-5201	1	
3	3.03.010.000004	Buzzer48V	1	
4	3.03.015.000001	48V sensor	1	ZJ200A
5	3.03.002.000004	Two switch(2 level)	1	
6	3.03.011.000007	Power indicator 48V	1	
7	3.03.002.000013	Switch F/R	1	
8	3.03.002.000027	key switch	1	
9	3.03.016.000001	DC/DC convertor	1	48V/300W
10	3.03.007.000037	Speed sensor	1	3.7KW ADC电机
11	3.03.005.000001	Accelerator Hall-A	1	
12	3.03.011.000025	Single-arm combination switch	1	
13	3.03.010.000007	Fanfare horn	1	
14	3.03.001.900025	Integrated rear light/L	1	
15	3.03.001.900026	Integrated rear light/R	1	
16	3.03.002.000008	Microswitch	1	
17	3.03.001.900023	Integrated front head light/L	1	
18	3.03.001.900024	Integrated front head light/R	1	
19	3.03.017.900004	Fasher	1	
20	3.03.012.000011	Relay	1	
21	3.03.011.000027	Single-arm combination switch board	1	
22	3.03.004.900046	A627.4 wiring harness	1	A627.4/4+2 A627.4G/4+2G
	3.03.004.900058	A627.6 wiring harness	1	A627.6/6+2



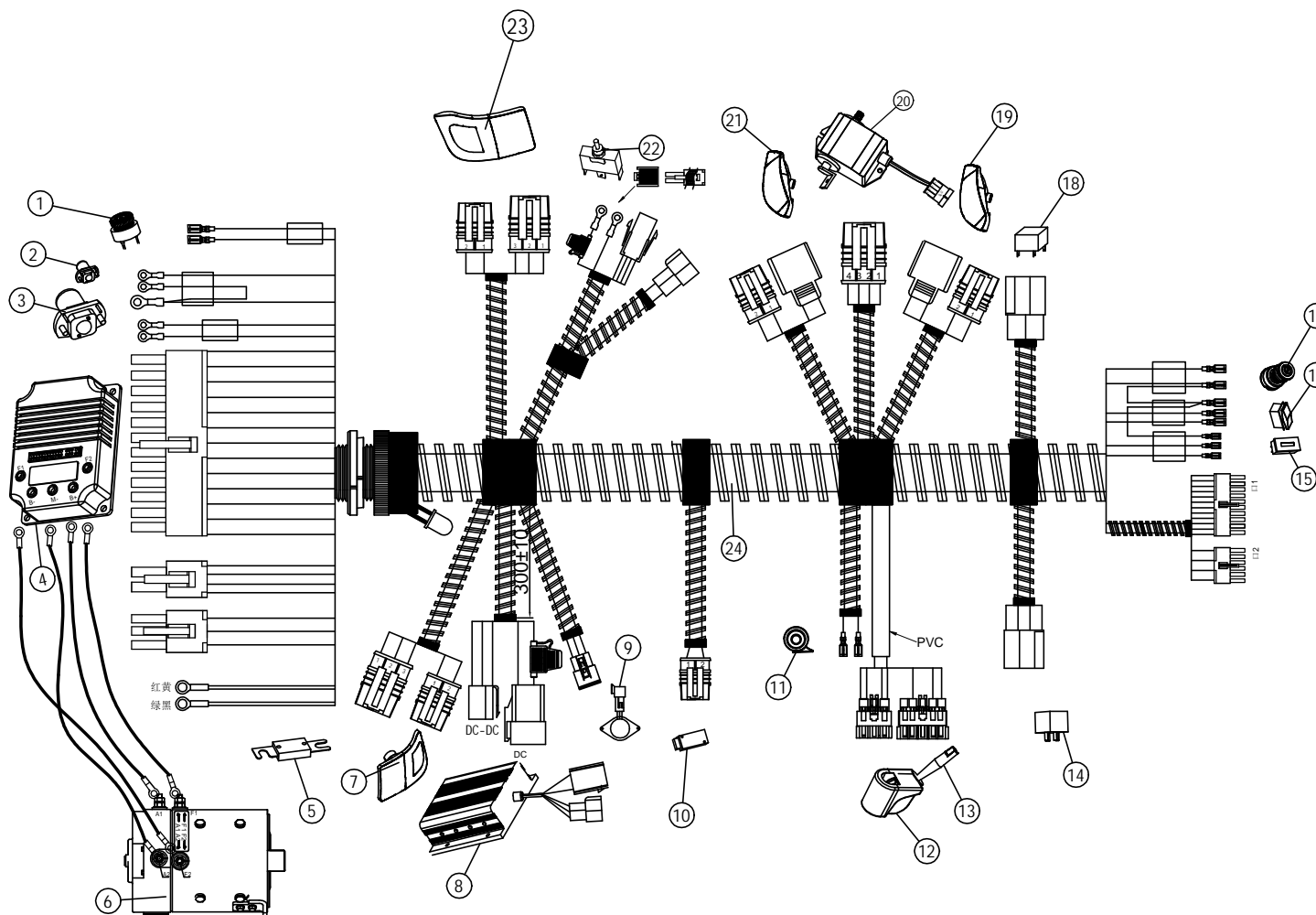
# A627.H2/H8/H8G 1266A



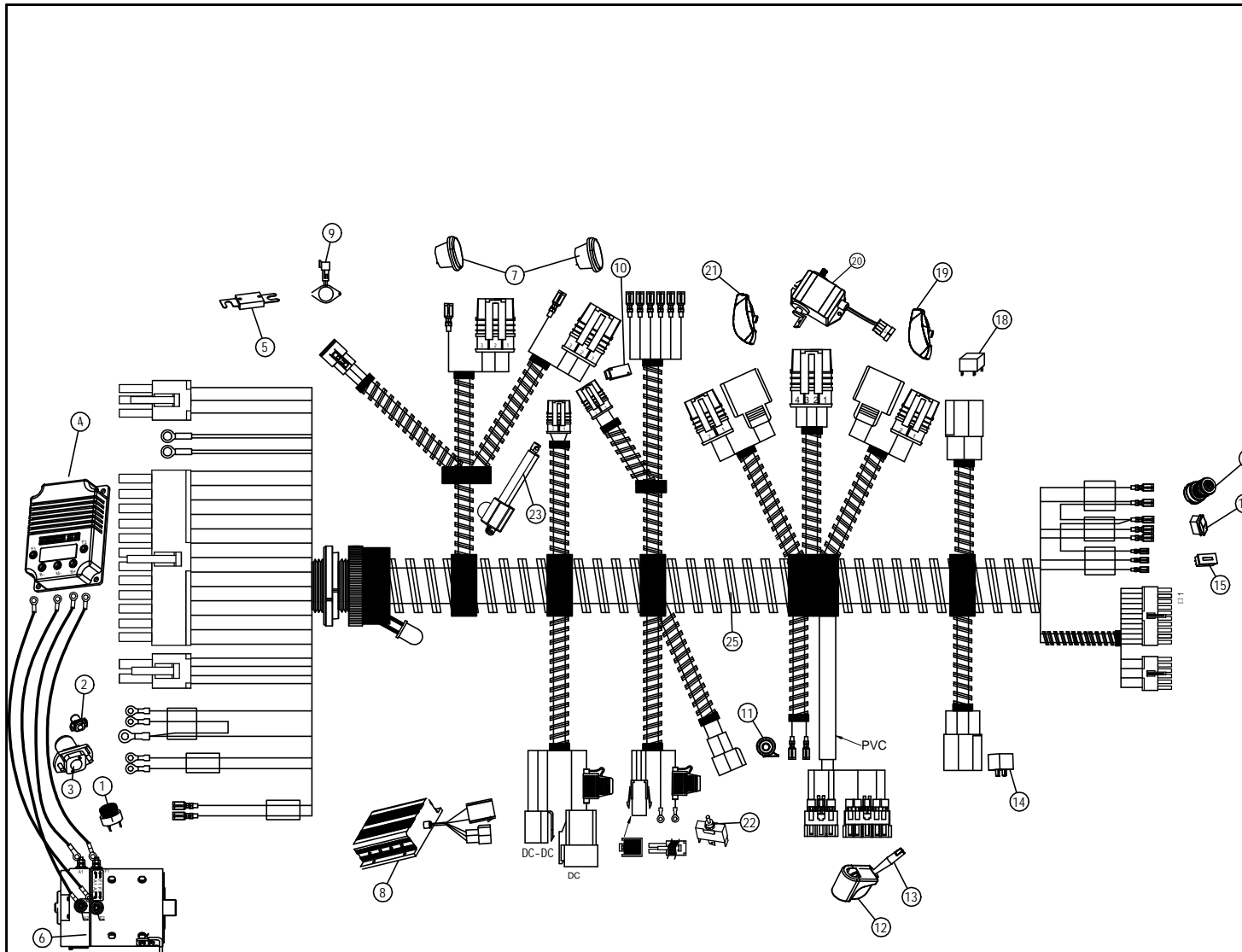
Wire harness diagram(3)

NO:	Code	Name	QTY	Remark
1	3.03.007.000006	ADC DC motor48V-3.7KW / Import	1	
2	3.03.003.000020	Curtis Controller 1266A-5201	1	
3	3.03.010.000004	Buzzer48V	1	
4	3.03.015.000001	48V sensor	1	ZJ200A
5	3.03.002.000004	Two switch(2 level)	1	
6	3.03.011.000007	Power indicator 48V	1	
7	3.03.002.000013	Switch F/R	1	
8	3.03.002.000027	key switch	1	
9	3.03.016.000001	DC/DC convertor	1	48V/300W
10	3.03.007.000037	Speed sensor	1	3.7KW ADC
11	3.03.005.000001	Accelerator Hall-A	1	
12	3.03.011.000025	Single-arm combination switch	1	
13	3.03.010.000007	Fanfare horn	1	
14	3.03.001.000009	Tail light	2	
15	3.03.002.000008	Microswitch	1	
16	3.03.001.900023	Integrated front head light/L	1	
17	3.03.001.900024	Integrated front head light/R	1	
18	3.03.017.900004	Fasher	1	
19	3.03.012.000011	Relay	1	
20	3.03.011.000027	Single-arm combination switch board	1	
21	3.01.004.100011	Electrical lift rod	1	
22	3.03.004.900107	A627.H wiring harness	1	

Wire harness diagram(4)



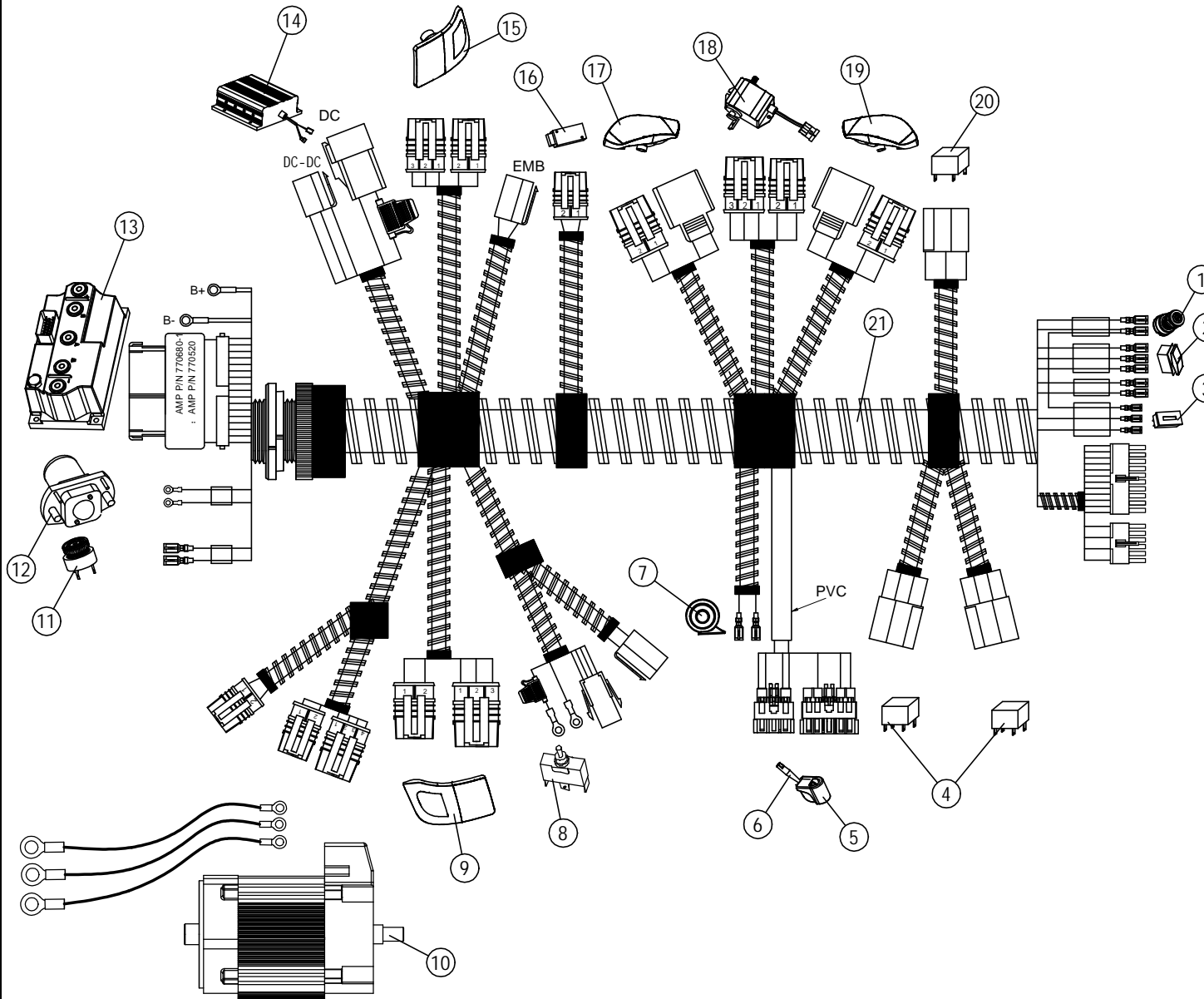
NO:	Code	Name	QTY	注 Remark
1	3.03.010.000004	Buzzer48V	1	
2	3.03.015.000003	48V sensor	1	ZJ50A
3	3.03.015.000001	48V sensor	1	ZJ200A
4	3.03.003.000005	Curtis controller 1268-5403	1	48V400A
5	3.03.017.000020	Fuse 250A	1	
6	3.03.007.000006	ADC DC motor48V-3.7KW / Import	1	
7	3.03.001.900026	Integrated rear light/R	1	
8	3.03.016.000001	DC/DC convertor	1	48V/300W
9	3.03.007.000037	Speed sensor	1	3.7KW ADC
10	3.03.002.000008	Microswitch	1	
11	3.03.010.000007	12V Fanfare horn	1	
12	3.03.011.000027	Single-arm combination switch board	1	
13	3.03.011.000025	Single-arm combination switch	1	
14	3.03.012.000011	Relay	1	
15	3.03.011.000007	Power indicator 48V	1	
16	3.03.002.000013	Switch F/R	1	
17	3.03.002.000027	key switch	1	
18	3.03.017.900004	Fasher	1	
19	3.03.001.900024	Integrated front head light/R	1	
20	3.03.005.000001	Accelerator Hall-A	1	
21	3.03.001.900023	Integrated front head light/L	1	
22	3.03.002.000004	Two switch(2 level)	1	
23	3.03.001.900025	Integrated rear light/L	1	
24	3.03.004.900061	A627.2 Main wire harness(1268)	1	A627.2/2+2 A627.2G/2+2G
	3.03.004.900049	A627.4 Main wire harness(1268)	1	A627.4/4+2 A627.4G/4+2G
	3.03.004.900052	A627.6 Main wire harness(1268)	1	A627.6/6+2



Wire harness diagram(5)

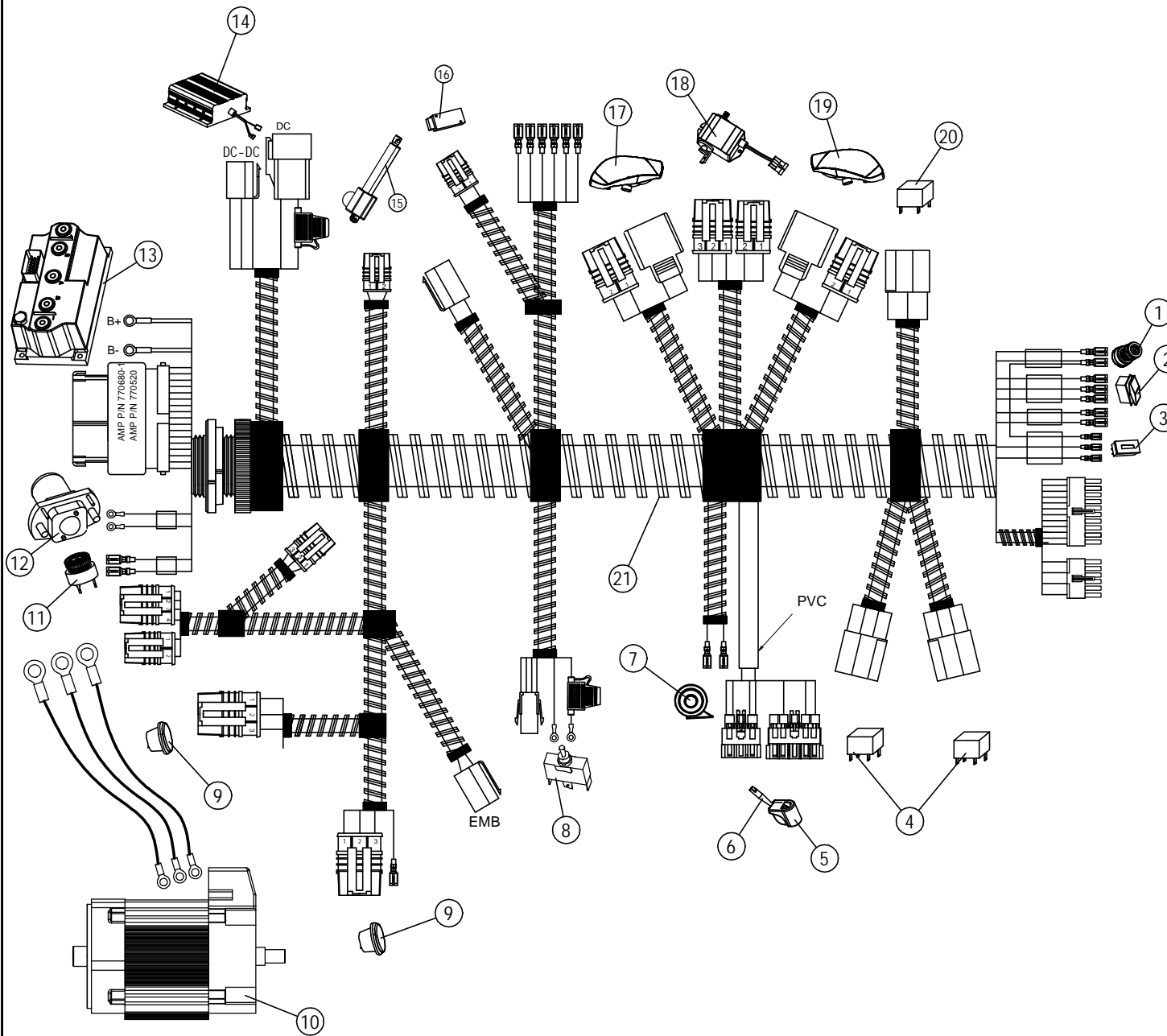
NO:	Code	Name	QTY	Remark
1	3.03.010.000004	Buzzer48V	1	
2	3.03.015.000003	48V sensor	1	ZJ50A
3	3.03.015.000001	48V sensor	1	ZJ200A
4	3.03.003.000005	Curtis controller 1268-5403	1	48V400A
5	3.03.017.000020	Fuse 250A	1	
6	3.03.007.000006	ADC DC motor48V-3.7KW / Import	1	
7	3.03.001.000009	Tail light	2	
8	3.03.016.000001	DC/DC convertor	1	48V/300W
9	3.03.007.000037	Speed sensor	1	3.7KW ADC
10	3.03.002.000008	Microswitch	1	
11	3.03.010.000007	Fanfare horn	1	
12	3.03.011.000027	Single-arm combination switch board	1	
13	3.03.011.000025	Single-arm combination switch	1	
14	3.03.012.000011	Relay	1	
15	3.03.011.000007	Power indicator 48V	1	
16	3.03.002.000013	Switch F/R	1	
17	3.03.002.000027	key switch	1	
18	3.03.017.900004	Fasher	1	
19	3.03.001.900024	Integrated front head light/R	1	
20	3.03.005.000001	Accelerator Hall-A	1	
21	3.03.001.900023	Integrated front head light/L	1	
22	3.03.002.000004	Two switch(2 level)	1	
23	3.01.004.100011	Electrical lift rod	1	
24	3.03.004.900062	A627.H Main wire harness(1268)	1	

48V



Wire harness diagram(6)

NO:	Code	Name	QTY	Remark
1	3.03.002.000027	key switch	1	
2	3.03.002.000013	Switch F/R	1	
3	3.03.011.000007	Power indicator 48V	1	
4	3.03.012.000011	Relay	2	
5	3.03.011.000027	Single-arm combination switch board	1	
6	3.03.011.000025	Single-arm combination switch	1	
7	3.03.010.000007	Fanfare horn	1	
8	3.03.002.000004	Two switch(2 level)	1	
9	3.03.001.900025	Integrated rear light/L	1	
10	3.03.007.000095	AC motor	1	
11	3.03.010.000004	Buzzer48V	1	
12	3.03.015.000001	48V sensor	1	ZJ200A
13	3.03.003.000021	Toyota communication controller	1	48V350A
14	3.03.016.000001	DC/DC convertor	1	48V/300W
15	3.03.001.900026	Integrated rear light/R	1	
16	3.03.002.000008	Microswitch	1	
17	3.03.001.900023	Integrated front head light/L	1	
18	3.03.005.000015	Resistive accelerator-4	1	
19	3.03.001.900024	Integrated front head light/R	1	
20	3.03.017.900004	Fasher	1	
21	3.03.004.900065	A627.2 Main wire harness(FT-4801)	1	A627.2/2+2 A627.2G/2+2G
	3.03.004.900066	A627.4 Main wire harness(FT-4801)	1	A627.2/2+2 A627.2G/2+2G
	3.03.004.900067	A627.6 Main wire harness(FT-4801)	1	A627.6/6+2
	3.03.004.900075	A627.2 entire wiring harness	1	A627.2/2+2 A627.2G/2+2G
	3.03.004.900038	A627.4 entire wiring harness	1	A627.2/2+2 A627.2G/2+2G
	3.03.004.900074	A627.6 entire wiring harness	1	A627.6/6+2



Wire harness diagram(7)

NO:	Code	Name	QTY	Remark
1	3.03.002.000027	key switch	1	
2	3.03.002.000013	Switch F/R	1	
3	3.03.011.000007	Power indicator 48V	1	
4	3.03.012.000011	Relay	2	
5	3.03.011.000027	Single-arm combination switch board	1	
6	3.03.011.000025	Single-arm combination switch	1	
7	3.03.010.000007	Fanfare horn	1	
8	3.03.002.000004	Two switch(2 level)	1	
9	3.03.001.000009	Tail light	2	
10	3.03.007.000031	AC motor	1	
11	3.03.010.000004	Buzzer48V	1	
12	3.03.015.000001	48V sensor	1	ZJ200A
13	3.03.003.000021	Toyota communication controller	1	48V350A
14	3.03.016.000001	DC/DC convertor	1	48V/300W
15	3.01.004.100011	Electrical lift rod	1	
16	3.03.002.000008	Microswitch	1	
17	3.03.001.900023	Integrated front head light/L	1	
18	3.03.005.000009	Resistive accelerator-3	1	
19	3.03.001.900024	Integrated front head light/R	1	
20	3.03.017.900004	Fasher	1	
21	3.03.004.900072	A627.H entire wiring harness	1	
	3.03.004.900076	A627.H entire wiring harness	1	